

LC1124

AIRCOMPRESSOR LOWVOLTAGE

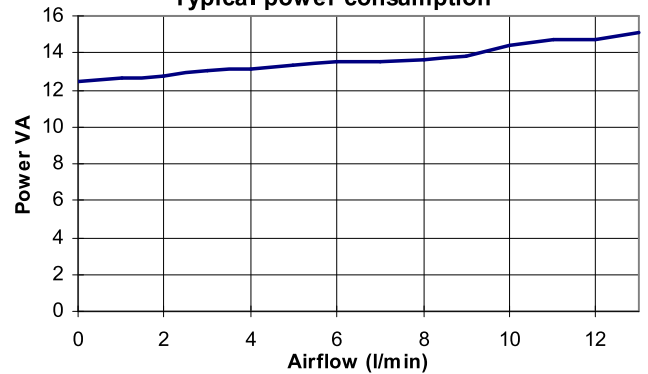


aimspump

Typical performance 12V DC



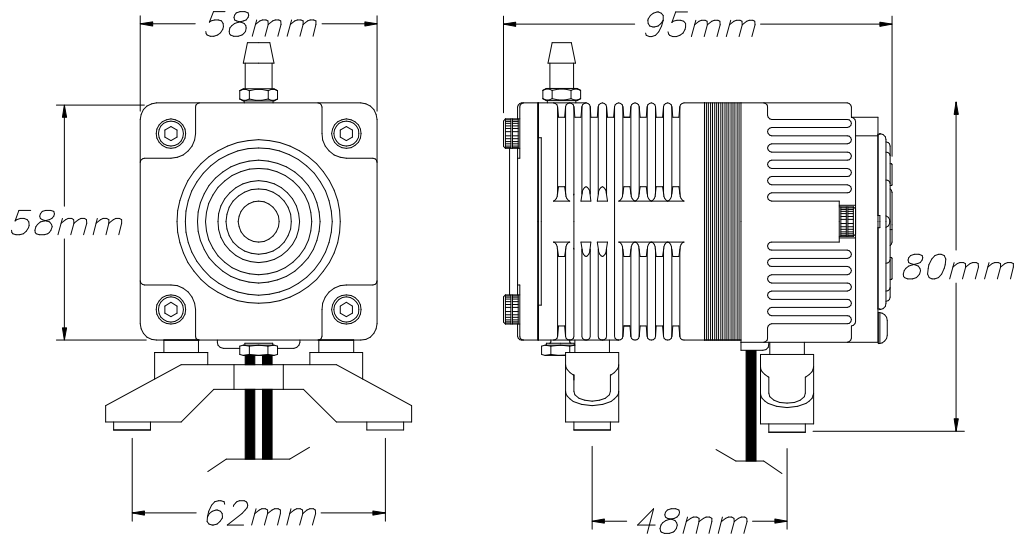
Typical power consumption



LC1124 SPECIFICATIONS

Rated Voltage(s):	DC 12 Volts Pulsed
Voltage characteristic:	On 5ms, Off 15ms
Rated Pressure:	8.5 kPa
Rated Airflow:	6 l/min
Maximum Pressure:	27kPa
Rated Frequency:	50Hz
Power Consumption Max (DC):	15.0 VA
Duty Cycle:	Continuous
Coil insulation Class:	Class F
Environmental Conditions:	0°C – 40°C & 35% - 85% RH
Mounting Dimensions:	48(L) x 62(W) mm
Unit outside dimensions:	95mm x 58mm x 58mm
Gross Weight:	700 grams (1.54lbs)
Lead Wire Length:*	AWG22 (UL1015, 105°C) X 260mm
Outlet:*	7.5mm diameter barb, hose nipple.

*Example given. Customer determined attributes are available.
Patented and patents pending



Contact technical sales for additional information regarding life expectancy and operating conditions.
All the information in this datasheet is supplied in good faith.
This information is given without obligation or liability.