

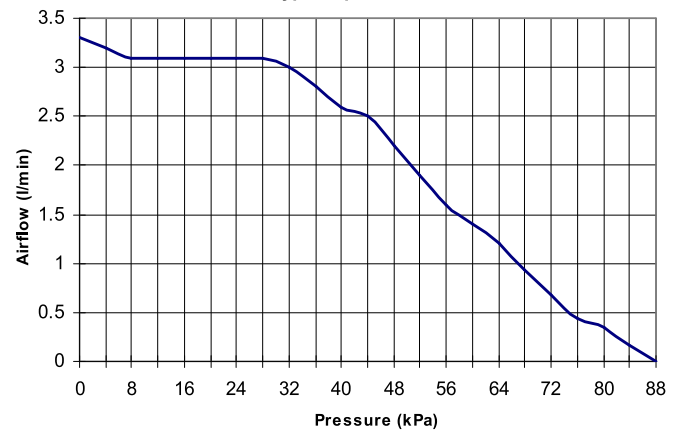
LC1116

AIRCOMPRESSOR LOWVOLTAGE



aimspump

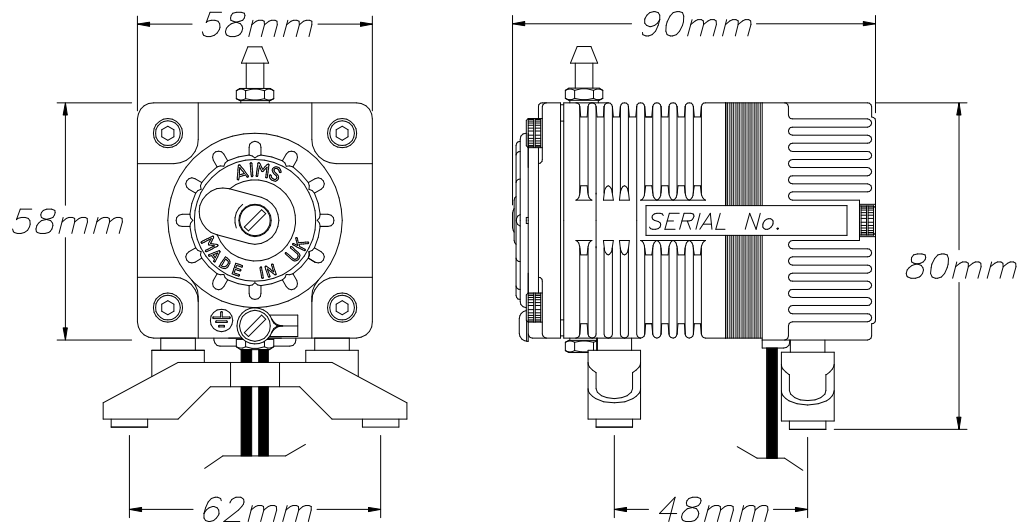
Typical performance



LC1116 SPECIFICATIONS

| | |
|----------------------------------|-----------------------------------|
| Rated Voltage(s): | DC12 Volts Pulsed |
| Voltage characteristic: | On 5 ms, Off 7.98 ms |
| Rated Pressure: | 44 kPa |
| Rated Airflow: | 2.5 l/min |
| Maximum Pressure: | >80kPa |
| Rated Frequency: | 77Hz |
| Power Consumption: | 24 VA |
| Duty Cycle: | Continuous |
| Coil insulation Class: | Class F |
| Environmental Conditions: | 0°C – 40°C & 35% - 85% RH |
| Mounting Dimensions: | 48(L) x 62(W) mm |
| Unit outside dimensions: | 90mm x 58mm x 58mm |
| Gross Weight: | 700 grams (1.54lbs) |
| Lead Wire Length:* | AWG22 (UL1015, 105°C) X 260mm |
| Outlet:* | 7.5mm diameter barb, hose nipple. |

*Example given. Customer determined attributes are available.
Patented and patents pending



Contact technical sales for additional information regarding life expectancy and operating conditions.
All the information in this datasheet is supplied in good faith.
This information is given without obligation or liability.