

AC1016

AIRCOMPRESSOR



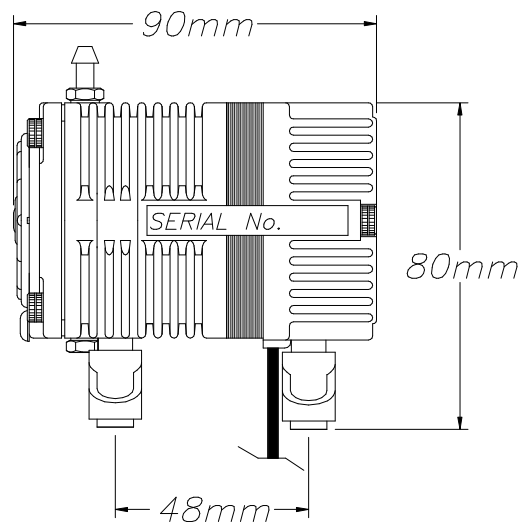
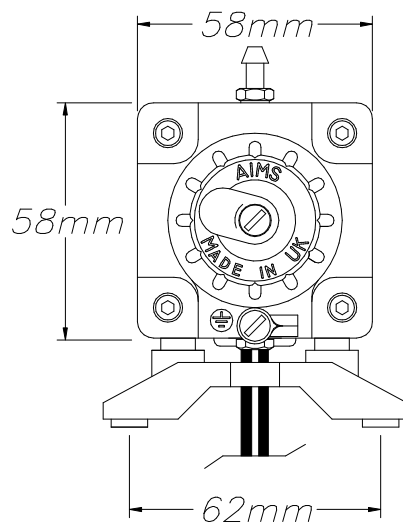
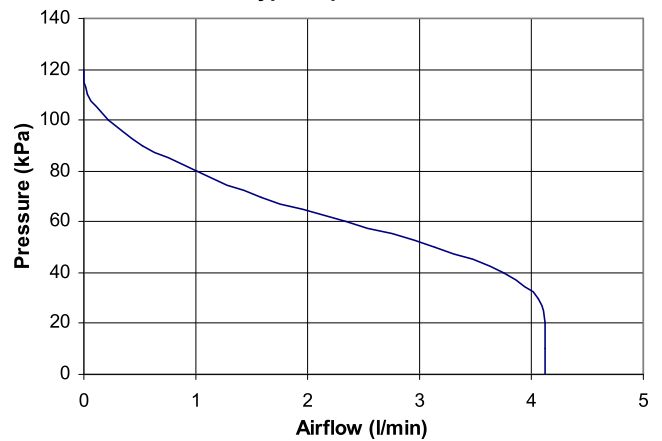
aimspump

AC1016 SPECIFICATIONS

Rated Pressure:	50kPa (500mB, 7.24psi)
Rated Airflow:	>2.5 l/min (0.88cfm)
Rated Voltage(s):	230V
Maximum Pressure:	>95 kPa (950mB, 13.75psi)
Rated Frequency:	50Hz
Power Consumption:	14-15 Watts
Duty Cycle:	Continuous
Coil insulation Class:	Class F. Class B for UL (1450) (120V)
Noise Level:	Below 40 dB (A)
Environmental Conditions:	0°C – 40°C & 35% - 85% RH
Mounting Dimensions:	48(L) x 62(W) mm
Unit outside dimensions:	90mm x 58mm x 58mm
Gross Weight:	700 grams (1.54lbs)
Lead Wire Length:*	AWG22 (UL1015, 105°C) X 260mm
Outlet:*	7.5mm diameter barb, hose nipple.

*Example given. Customer determined attributes are available.
Patented and patents pending

Typical performance



Contact technical sales for additional information regarding life expectancy and operating conditions.
All the information in this datasheet is supplied in good faith.
This information is given without obligation or liability.