

**Electrically operated  
2-Way WAFER  
Cast iron butterfly valve**

**E8551**



**E8551**

Robuuste, elektrisch bediende 2-weg Gietijzeren GG25 Genebre vlin-derklep type Wafer met voorzien van JJ J+J J4C actuator in dubbelwer-kende uitvoering

**SIZE**

DN50 (2") to DN300 (12")

**CONNECTION**

- Bouwvorm: EN593
- Inbouwmaat: EN558-1, BS5155, ISO 5752
- DIN 3202 K1
- Aansluiting: DIN PN6/10/16, ANSI 150
- Mounting flange according to ISO 5211

**NOMINAL PRESSURE**

(applies to liquids cattogorie 2 (PED 97/23/EC)  
DN50 - DN300: 16 bar  
DN350 - DN500: 10 bar

**TEMPERATURE RANGE**

From -20° to +120°C

**MATERIALEN**

Huis: GG20 met epoxy coating min 200 micron.  
Klepblad: AISI 316 andere materialen op aanvraag.  
A chting: EPDM, andere afdichtingen op aanvraag.  
Medium temperatuur van -20 tot 120°C  
As: AISI 416  
As afdichting: EPDM

**FLOW DIRECTION**

Random

**MOUNTING POSITION**

See mounting refererence for industrial valves.

**MEDIUM**

Neutral gases and liquids. For applications with aggressive media consult resistance table. Certain media may increase the torque.

**OPERATION (Standard)**

With electric actuator.

**VOLTAGE**

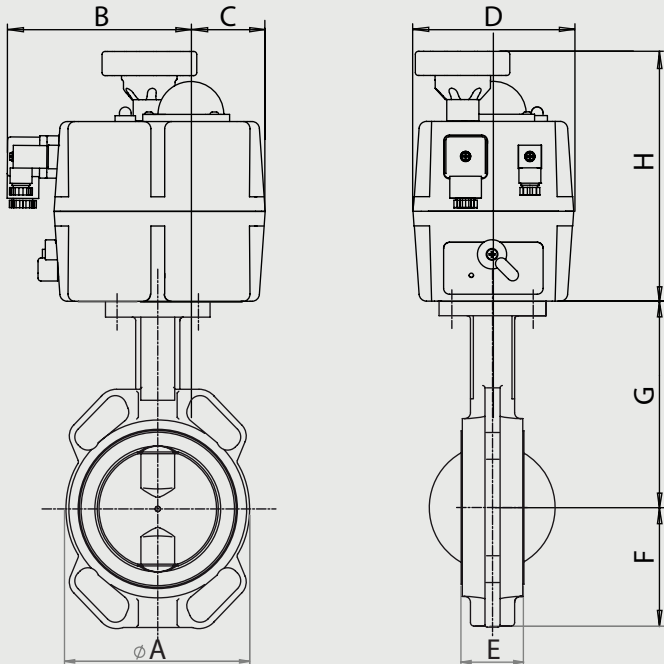
12V AC/DC, 24-240V AC/DC

**SOME ADVANTAGES**

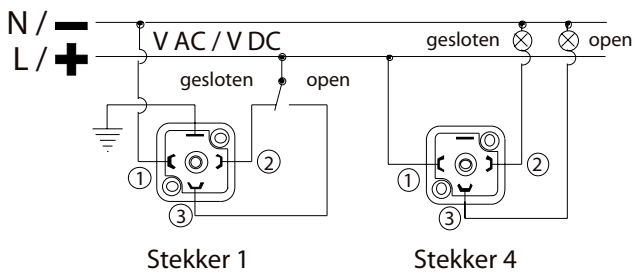
- ETL (Electrical torque limiter).
- AVS (Automatic voltage recognition).
- ATC (Automatic temperature control to avoid condensation).
- MO (Manual emergency override).
- VFC (2 integrated potential free microswitches for feedback).
- VCO (A continous lighting LED indicates normal operation of the actuator).
- PES (Protected electrical supply, the J3 accepts the same wiring connection for either AC or DC operation).

**OPTIONS AND ACCESSORIES**

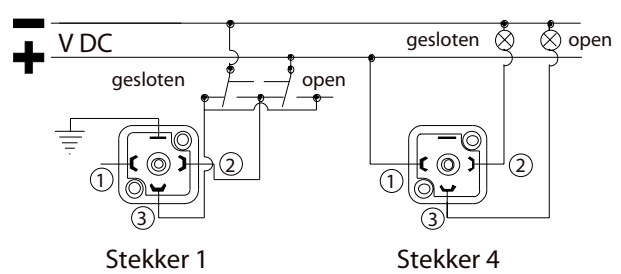
Security power unit BSR, potentiometer for feedback, Positioner DPS, 0-10volt of 4-20mA



AC/DC 3 draads aansluiting



DC 2 draads aansluiting



**Electrically operated  
2-Way WAFER  
Cast iron butterfly valve**

# E8551

**Double-acting butterfly valve GG20 SS316 disc, EPDM, 12 Volt AC/DC**

Nominal[mm] connection[mm]		max. press. [bar] PN	M(1) +30% [Nm]	Flange	Squa- re	Kv [m <sup>3</sup> /h]	Elektrische actuator	Dimension [mm] and weight [kg]								Weight	Order Code
DN	Rp							A	B	C	D	E	F	G	H		
50	2	16	18	F05	11	120	B020	105	130	51	110	43	70	238	169	4,20	3E855100334012
65	2.1/2	16	20	F05	11	209	B020	124	130	51	110	46	80	238	169	4,70	3E855100334512
80	3	16	28	F05	11	388	B035	137	130	51	110	46	100	238	169	5,50	3E855100335012
100	4	16	48	F07	14	750	B055	170	130	51	110	52	115	270	169	8,40	3E855100335512
125	5	16	75	F07	14	1234	B085	197	130	51	110	56	125	300	169	10,20	3E855100336012
150	6	16	123	F07	17	2044	B140	226	128	107	214	56	145	330	254	14,10	3E855100336512
200	8	16	225	F07/F10	17	3924	B300	279	128	107	214	60	150	360	254	19,60	3E855100337012
250	10	16	372	F10	22	6929	B300	336	128	107	214	68	200	390	254	26,40	3E855100337512
300	12	16	558	F10/F12	22	11496	B300	396	128	107	214	78	250	420	254	42,70	3E855100338012

**Double-acting butterfly valve GG20 SS316 disc, EPDM, 24-240 Volt AC/DC**

Nominal[mm] connection[mm]		max. press. [bar] PN	M(1) +30% [Nm]	Flange	Squa- re	Kv [m <sup>3</sup> /h]	Elektrische actuator	Dimension [mm] and weight [kg]								Weight	Order Code
DN	Rp							A	B	C	D	E	F	G	H		
50	2	16	18	F05	11	120	S020	105	130	51	110	43	70	238	169	4,20	3E855100334044
65	2.1/2	16	20	F05	11	209	S020	124	130	51	110	46	80	238	169	4,70	3E855100334544
80	3	16	28	F05	11	388	S035	137	130	51	110	46	100	238	169	5,50	3E855100335044
100	4	16	48	F07	14	750	S055	170	130	51	110	52	115	270	169	8,40	3E855100335544
125	5	16	75	F07	14	1234	S085	197	130	51	110	56	125	300	169	10,20	3E855100336044
150	6	16	123	F07	17	2044	S140	226	128	107	214	56	145	330	254	14,10	3E855100336544
200	8	16	225	F07/F10	17	3924	S300	279	128	107	214	60	150	360	254	19,60	3E855100337044
250	10	16	372	F10	22	6929	S300	336	128	107	214	68	200	390	254	26,40	3E855100337544
300	12	16	558	F10/F12	22	11496	S300	396	128	107	214	78	250	420	254	42,70	3E855100338044