

**Pneumatically operated
2-way WAFER
Cast iron butterfly valve**

P8751



P8751

Solid, pneumatically operated 2-Way Cast iron GG20 Wafer Type Ge-nebre Butterfly Valve with airpower actuator in double acting and single acting version.

SIZE

DN50 (2") to DN300 (12")

CONNECTION

- Housing: EN593
- Installation dimension according: UNE EN 558-1, DIN 3202 K1
- Connection: DIN PN6/10/16, ANSI 150
- Mounting flange according to ISO 5211 DIN 3337

NOMINAL PRESSURE

(applies to liquids cattogorie 2 (PED 97/23/EC)

DN50 - DN300: 16 bar

DN350 - DN500: 10 bar

TEMPERATURE RANGE

From -20° to +120°C

MATERIALS

Body: GG20 with epoxy coating min 200 micron.
Disc: AISI 316 SS 316 other materials on request.
Seal: EPDM, other seals on request.
Medium temperatuur van -20 tot 120°C
Shaft: AISI 416 SS 316
Shaft seal: EPDM

FLOW DIRECTION

Random

MOUNTING POSITION

See mounting reference for industrial valves.

MEDIUM

Neutral gases and liquids. For applications with aggressive media consult resistance table. Certain media may increase the torque.

OPERATION (Standard)

With pneumatic actuator double acting or single acting (spring closing "NC" or spring opening "NO") version.

CONTROL MEDIUM

Compressed air or inert gases according PNEUROP/ISO class 4, other control medium on request.

CONTROL PRESSURE

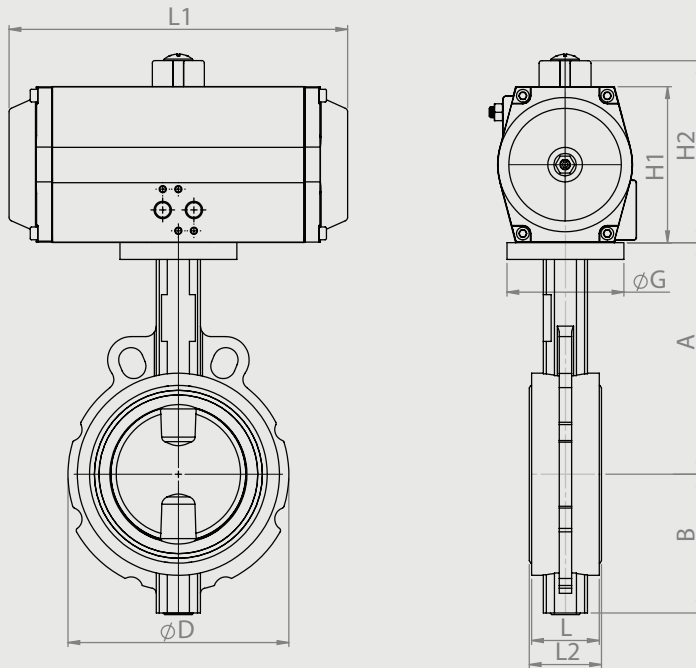
- 5,5 bar, other control pressure on request.

OPTIONS AND ACCESSORIES

Mechanical or inductive limit switches mounted in a switch box or single mounted on the actuator.

Pneumatically operated
2-way WAFER
Cast iron butterfly valve

P8751



Double-acting butterfly valve GG20 SS316 disc, EPDM

Nominal[mm] connection[mm]		max. press. [bar] PN	M(1) +30% [Nm]	Flange	Square	Kv [m3/h]	Pneumatic Actuator	Dimension [mm] and weight [kg]							Order Code	
DN	Rp							A	B	øG	H1	H2	L1	L2		Weight
50	2	16	18	F05	11	39	APD050	206	70	65	74	94	146	43	3,7	3P8751003340
65	2.1/2	16	20	F05	11	77	APD050	206	80	65	74	94	146	46	4,2	3P8751003345
80	3	16	28	F05	11	126	APD060	206	100	65	88	108	168	46	5,3	3P8751003350
100	4	16	48	F07	14	229	APD070	238	115	90	100	120	184	52	8,2	3P8751003355
125	5	16	75	F07	14	375	APD080	268	125	90	109	129	204	56	9,9	3P8751003360
150	6	16	123	F07	17	505	APD090	268	145	90	120	140	260	56	12,3	3P8751003365
200	8	16	225	F07/F10	17	904	APD130	268	150	125	133	153	268	60	21,5	3P8751003370
250	10	16	372	F10	22	1481	APD130	288	200	152	155	175	298	68	30,2	3P8751003375
300	12	16	558	F10/F12	22	2203	APD140	318	250	152	172	202	390	78	49,9	3P8751003380

Single-acting butterfly valve GG20 SS316 disc, NC

Nominal[mm] connection[mm]		max. press. [bar] PN	M(1) +30% [Nm]	Flange	Square	Kv [m3/h]	Pneumatic Actuator	Dimension [mm] and weight [kg]							Order Code	
DN	Rp							A	B	øG	H1	H2	L1	L2		Weight
50	2	16	18	F05	11	39	APS070	206	70	65	88	108	168	46,0	4,9	3P8751003440
65	2.1/2	16	20	F05	11	77	APS070	206	80	65	100	120	184	49,5	5,4	3P8751003445
80	3	16	28	F05	11	126	APS080	206	100	65	109	129	204	49,5	6,3	3P8751003450
100	4	16	48	F07	14	229	APS090	238	115	90	120	140	260	55,5	9,5	3P8751003455
125	5	16	75	F07	14	375	APS110	268	125	90	133	153	268	59,0	12,6	3P8751003460
150	6	16	123	F07	17	505	APS130	268	145	90	155	175	298	59,0	17,9	3P8751003465
200	8	16	225	F07/F10	17	904	APS140	268	150	125	172	202	390	64,0	26,8	3P8751003470
250	10	16	372	F10	22	1481	APS190	288	200	152	197	227	458	72,5	49,2	3P8751003475
300	12	16	558	F10/F12	22	2203	APS210	318	250	152	255	285	532	81,5	69,3	3P8751003480

Single-acting butterfly valve GG20 SS316 disc, EPDM, NO

Nominal[mm] connection[mm]		max. press. [bar] PN	M(1) +30% [Nm]	Flange	Square	Kv [m3/h]	Pneumatic Actuator	Dimension [mm] and weight [kg]							Order Code	
DN	Rp							A	B	øG	H1	H2	L1	L2		Weight
50	2	16	18	F05	11	39	APS070	206	70	65	88	108	168	46,0	4,9	3P8751003540
65	2.1/2	16	20	F05	11	77	APS070	206	80	65	100	120	184	49,5	5,4	3P8751003545
80	3	16	28	F05	11	126	APS080	206	100	65	109	129	204	49,5	6,3	3P8751003550
100	4	16	48	F07	14	229	APS090	238	115	90	120	140	260	55,5	9,5	3P8751003555
125	5	16	75	F07	14	375	APS110	268	125	90	133	153	268	59,0	12,6	3P8751003560
150	6	16	123	F07	17	505	APS130	268	145	90	155	175	298	59,0	17,9	3P8751003565
200	8	16	225	F07/F10	17	904	APS140	268	150	125	172	202	390	64,0	26,8	3P8751003570
250	10	16	372	F10	22	1481	APS190	288	200	152	197	227	458	72,5	49,2	3P8751003575
300	12	16	558	F10/F12	22	2203	APS210	318	250	152	255	285	532	81,5	69,3	3P8751003580