

**Electrically operated
2-Way 3-piece
Stainless Steel ball valve**

E8515BW



E8515BW

Solid, electrically operated 3-piece 2-Way Stainless Steel Butt Weld ball valve with JJ J+J J4C double acting brushless actuator

SIZE

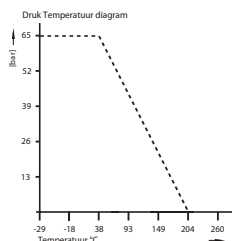
DN08 (1/4") to DN80 (4") Volle doorlaat

CONNECTION

- Butt Weld ANSI B 16.25
- Mounting flange according to ISO 5211

NOMINAL PRESSURE

Maximum PN63



TEMPERATURE RANGE

From -25° to +180°C

MATERIALS

Body: stainless steel DIN 1.4408 (CF8M)
 Ball: stainless steel AISI 316
 Ball seal: PTFE 15% glass fiber reinforced
 Shaft: Stainless steel AISI 316
 Shaft sealing: PTFE 15% glass fiber reinforced
 O-ring: FPM
 Packed gland PTFE

FLOW DIRECTION

Random

MOUNTING POSITION

See mounting reference for industrial valves.

MEDIUM

Neutral gases and liquids. For applications with aggressive media consult resistance table. Certain media may increase the torque.

OPERATION (Standard)

With electric actuator.

VOLTAGE

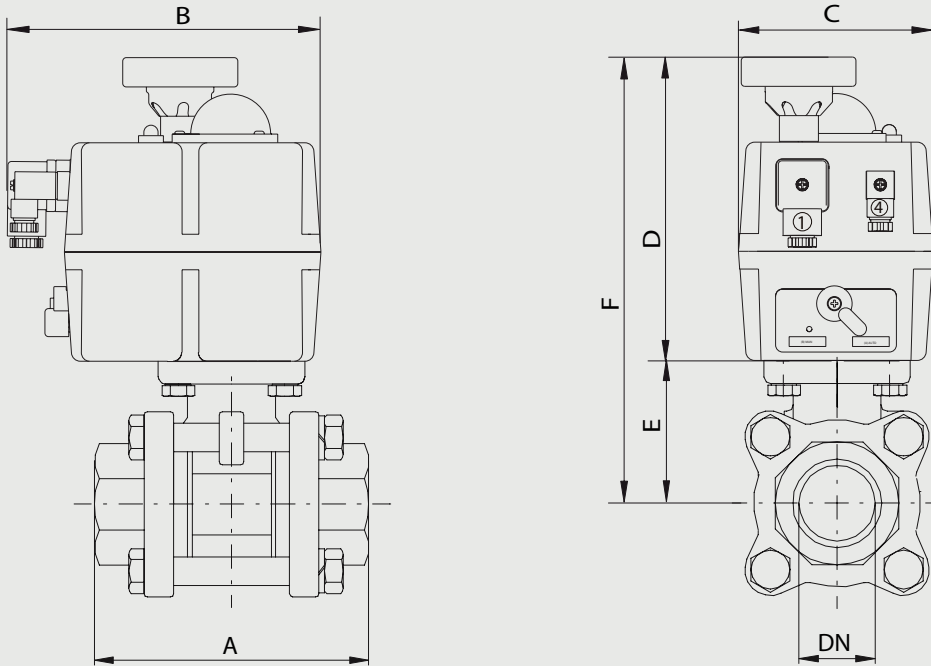
12V AC/DC, 24-240V AC/DC

SOME ADVANTAGES

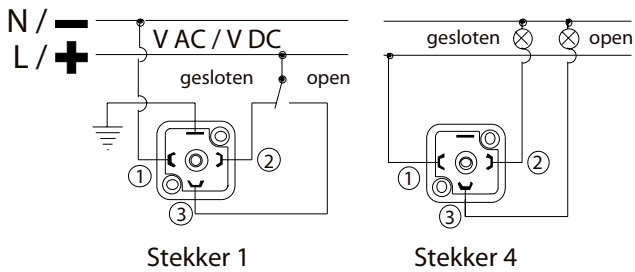
- IP 67
- Brushless Motor.
- ETL (Electrical torque limiter).
- AVS (Automatic voltage recognition).
- ATC (Automatic temperature control to avoid condensation).
- MO (Manual emergency override).
- VFC (2 integrated potential free microswitches for feedback).
- VCO (A continues lighting 2 color LED indicates normal operation of the actuator).
- PES (Protected electrical supply, the J3 accepts the same wiring connection for either AC or DC operation)

OPTIONS AND ACCESSORIES

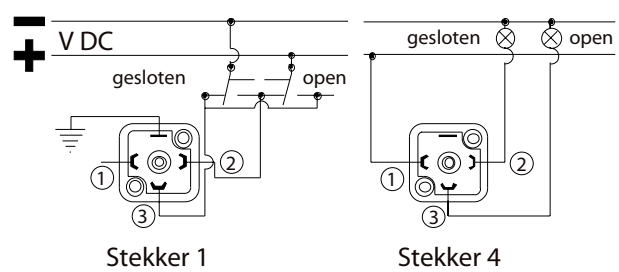
Security power unit BSR, potentiometer for feedback, Positioner DPS, 0-10volt of 4-20mA



AC/DC 3 draads aansluiting



DC 2 draads aansluiting

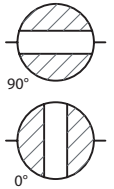


**Electrically operated
2-Way 3-piece
Stainless Steel ball valve**

E8515BW

Double-acting butt weld ball valve, 12 Volt AC/DC

Nominal[mm] connection[mm]		max. press. [bar] PN	M(1) +30% [Nm]	Flange	Square	Kv [m3/h]	Electrical Actuator	Dimension [mm] and weight [kg]							Order Code
DN	Rp							A	B	C	D	E	F	Weight	
8	1/4"	63	4	F03	9	6	B020	50	177	110	149	39	188	1,80	3E8515140512
10	3/8"	63	4	F03	9	10	B020	50	177	110	149	39	188	1,80	3E8515141012
15	1/2"	63	5	F04	9	24	B020	56	177	110	149	40	189	1,90	3E8515141512
20	3/4"	63	8	F04/F05	11	43	B020	73	177	110	149	44	193	2,30	3E8515142012
25	1"	63	10	F04/F05	11	83	B020	82	177	110	149	46	195	2,50	3E8515142512
32	1.1/4"	63	14	F05/F07	14	130	B020	91	177	110	149	56	205	3,20	3E8515143012
40	1.1/2"	63	22	F05/F07	14	205	B020	104	177	110	149	62	211	3,90	3E8515143512
50	2"	63	30	F05/F07	14	340	B055	120	177	110	196	70	266	5,80	3E8515144012
65	2.1/2"	63	36	F07/F10	17	520	B085	155	177	128	196	100	296	11,30	3E8515144512
80	3"	63	60	F07/F10	17	1100	B140	182	235	214	254	110	364	17,60	3E8515145012
100	4"	63	124	F07/F10	17	1820	B140	220	235	214	254	xxx	xxx	26,50	3E8515145512



Double-acting butt weld ball valve, 24-240 Volt AC/DC

Nominal[mm] connection[mm]		max. press. [bar] PN	M(1) +30% [Nm]	Flange	Square	Kv [m3/h]	Electrical Actuator	Dimension [mm] and weight [kg]							Order Code
DN	Rp							A	B	C	D	E	F	Weight	
8	1/4"	63	4	F03	9	6	S020	50	177	110	149	39	188	1,80	3E8515140544
10	3/8"	63	4	F03	9	10	S020	50	177	110	149	39	188	1,80	3E8515141044
15	1/2"	63	5	F04	9	24	S020	56	177	110	149	40	189	1,90	3E8515141544
20	3/4"	63	8	F04/F05	11	43	S020	73	177	110	149	44	193	2,30	3E8515142044
25	1"	63	10	F04/F05	11	83	S020	82	177	110	149	46	195	2,50	3E8515142544
32	1.1/4"	63	14	F05/F07	14	130	S020	91	177	110	149	56	205	3,20	3E8515143044
40	1.1/2"	63	22	F05/F07	14	205	S020	104	177	110	149	62	211	3,90	3E8515143544
50	2"	63	30	F05/F07	14	340	S055	120	177	110	196	70	266	5,80	3E8515144044
65	2.1/2"	63	36	F07/F10	17	520	S085	155	177	128	196	100	296	11,30	3E8515144544
80	3"	63	60	F07/F10	17	1100	S140	182	235	214	254	110	364	17,60	3E8515145044
100	4"	63	124	F07/F10	17	1820	S140	220	235	214	254	xxx	xxx	26,50	3E8515145544

