

**Pneumatically operated
2-Way 2-piece
Brass Nickel Plated ball valve
P8700**



P8700

Solid, pneumatically operated 2-piece 2-Way nickel-plated brass ball valve with airpower actuator in double acting and single acting version.

SIZE

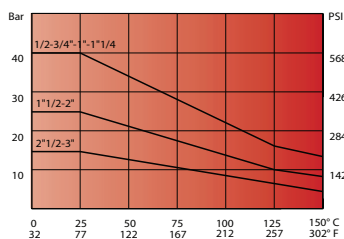
DN08 (1/4") to DN80 (3") Full bore

CONNECTION

- 2-Sided female thread according to UNI EN 10226 (DIN ISO 7/1)
- Mounting flange according to ISO 5211

NOMINAL PRESSURE

From PN40 (1/4) to PN16 (3")



TEMPERATURE RANGE

From -20° to +150°C

MATERIALS

Body: Brass CW 617 N UNI EN 12165
 Ball: Brass, hard chrome CW 614 N UNI EN 12164
 Ball seal: PTFE
 Shaft: Brass, hard chrome CW 614 N UNI EN 12164
 Shaft sealing: PTFE
 O-Ring: Elastomer
 Stuffing box gland: brass UNI EN 12164 CW 614 N
 Packed gland PTFE

FLOW DIRECTION

Random

MOUNTING POSITION

See mounting reference for industrial valves.

MEDIUM

Neutral gases and liquids. For applications with aggressive media consult resistance table. Certain media may increase the torque.

OPERATION (Standard)

With pneumatic actuator double acting or single acting (spring closing "NC" or spring opening "NO") version.

CONTROL MEDIUM

Compressed air or inert gases according PNEUROP/ISO class 4, other control medium on request.

CONTROL PRESSURE

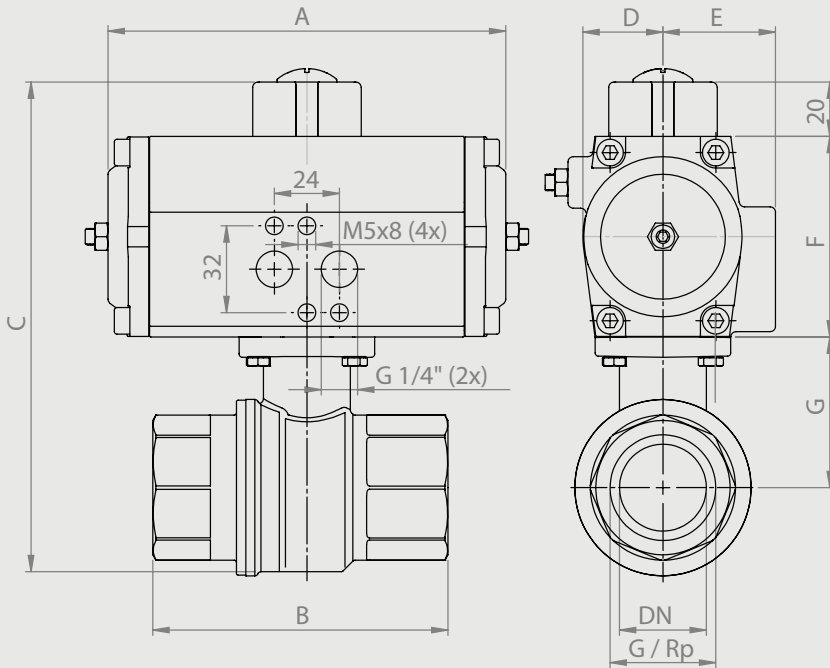
- 5,5 bar, other control pressure on request.

OPTIONS AND ACCESSORIES

Mechanical or inductive limit switches mounted in a switch box or single mounted on the actuator.

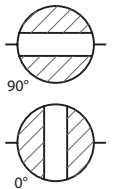
Pneumatically operated
2-Way 2-piece
Brass Nickel Plated ball valve

P8700



Double-acting ball valve with pipe threads

Nominal[mm] connection[mm]		max. press. [bar] PN	M(1) +30% [Nm]	Flange	Square	Kv	Pneumatic Actuator	Dimension [mm] and weight [kg]							Order Code	
DN	Rp							A	B	C	D	E	F	G		Weight
8	G1/4	40	2,8	F03	9	5,9	APD050	147	75	148,8	29,5	41,5	74	38,0	1,81	3P87000005
10	G3/8	40	2,8	F03	9	9,4	APD050	147	75	148,8	29,5	41,5	74	38,0	1,79	3P87000010
15	G1/2	40	4,2	F03	9	17	APD050	147	75	148,8	29,5	41,5	74	38,0	1,74	3P87000015
20	G3/4	40	5,6	F03	9	41	APD050	147	80	154,8	29,5	41,5	74	40,5	1,86	3P87000020
25	G1	40	8,4	F03/F04	9	70	APD050	147	90	163,2	29,5	41,5	74	44,0	2,11	3P87000025
32	G1.1/4	40	9,8	F04/F05	11	121	APD050	147	110	179,1	29,5	41,5	74	55,0	2,62	3P87000030
40	G1.1/2	25	13	F04/F05	11	200	APD050	147	120	192,2	29,5	41,5	74	61,5	3,05	3P87000035
50	G2	25	25	F05	14	292	APD060	168	140	226,3	36,0	47,0	88	73,0	4,99	3P87000040
65	G2.1/2	25	38	F07	14	535	APD070	184	155	253,0	41,5	53,0	100	82,8	5,89	3P87000045
80	G3	16	46	F07	14		APD070	184	184	283,0	41,5	53,0	100	94,5	8,52	3P87000050

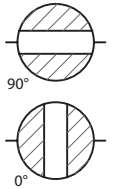


Pneumatically operated
2-Way 2-piece
Brass Nickel Plated ball valve

P8700

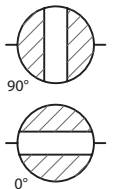
Single-acting ball valve with pipe threads, NC

Nominal[mm] connection[mm]		max. press. [bar] PN	M(1) +30% [Nm]	Flange	Squa- re	Kv	Pneumatic Actuator	Dimension [mm] and weight [kg]							Order Code	
DN	Rp							A	B	C	D	E	F	G		Weight
8	G1/4	40	2,8	F03	9	5,9	APS050	147	75	148,8	29,5	41,5	74	38,0	1,91	3P87000105
10	G3/8	40	2,8	F03	9	9,4	APS050	147	75	148,8	29,5	41,5	74	38,0	1,89	3P87000110
15	G1/2	40	4,2	F03	9	17	APS050	147	75	148,8	29,5	41,5	74	38,0	1,84	3P87000115
20	G3/4	40	5,6	F03	9	41	APS050	147	80	154,8	29,5	41,5	74	40,5	1,96	3P87000120
25	G1	40	8,4	F03/F04	9	70	APS050	147	90	163,2	29,5	41,5	74	44,0	2,21	3P87000125
32	G1.1/4	40	9,8	F04/F05	11	121	APS060	168	110	193,1	36,0	47,0	88	55,0	3,52	3P87000130
40	G1.1/2	25	13	F04/F05	11	200	APS060	168	120	206,2	36,0	47,0	88	61,5	3,95	3P87000135
50	G2	25	25	F05	14	292	APS070	184	140	238,3	41,5	53,0	100	73,0	5,79	3P87000140
65	G2.1/2	25	38	F07	14	535	APS080	204	155	262,0	45,0	56,0	109	82,8	6,99	3P87000145
80	G3	16	46	F07	14		APS080	204	184	292,0	45,0	56,0	109	94,5	9,62	3P87000150



Single-acting ball valve with pipe threads, NO

Nominal[mm] connection[mm]		max. press. [bar] PN	M(1) +30% [Nm]	Flange	Squa- re	Kv	Pneumatic Actuator	Dimension [mm] and weight [kg]							Order Code	
DN	Rp							A	B	C	D	E	F	G		Weight
8	G1/4	40	2,8	F03	9	5,9	APS050	147	75	148,8	29,5	41,5	74	38,0	1,91	3P87000205
10	G3/8	40	2,8	F03	9	9,4	APS050	147	75	148,8	29,5	41,5	74	38,0	1,89	3P87000210
15	G1/2	40	4,2	F03	9	17	APS050	147	75	148,8	29,5	41,5	74	38,0	1,84	3P87000215
20	G3/4	40	5,6	F03	9	41	APS050	147	80	154,8	29,5	41,5	74	40,5	1,96	3P87000220
25	G1	40	8,4	F03/F04	9	70	APS050	147	90	163,2	29,5	41,5	74	44,0	2,21	3P87000225
32	G1.1/4	40	9,8	F04/F05	11	121	APS060	168	110	193,1	36,0	47,0	88	55,0	3,52	3P87000230
40	G1.1/2	25	13	F04/F05	11	200	APS060	168	120	206,2	36,0	47,0	88	61,5	3,95	3P87000235
50	G2	25	25	F05	14	292	APS070	184	140	238,3	41,5	53,0	100	73,0	5,79	3P87000240
65	G2.1/2	25	38	F07	14	535	APS080	204	155	262,0	45,0	56,0	109	82,8	6,99	3P87000245
80	G3	16	46	F07	14		APS080	204	184	292,0	45,0	56,0	109	94,5	9,62	3P87000250





**Pneumatically operated
2-Way 2-piece
Brass Nickel Plated ball valve**

P8700