

**Manually operated
2-Way 2-piece
Brass Nickel Plated ball valve**

G3031



G3031

Solid, manually operated 2-piece 2-Way nickel-plated brass ball valve with SS 304 lever

SIZE

DN14 (1/2") to DN46,5 (2")
Reduced bore

CONNECTION

- 2-sided female thread according to (DIN 228/1)

NOMINAL PRESSURE

PN25

TEMPERATURE RANGE

-20° to 110°C

MATERIALS

DRZ anticorrosion brass volgens EN - ISO 6509
Brass according to UNE-EN 12165
Body: Brass (CW602N) Peened and Thermal treatment
Ball: Brass (CW602N) Thermal treatment , Chrome plated and Polished
Ball seal: PTFE
Shaft: Brass (CW602N) Thermal treatment
Shaft sealing: PTFE
O-Ring: NBR
Packed gland PTFE
Lever: SS 304

FLOW DIRECTION

Random

MOUNTING POSITION

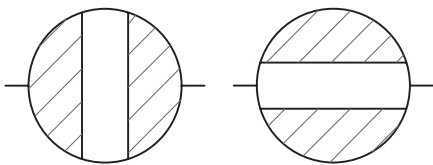
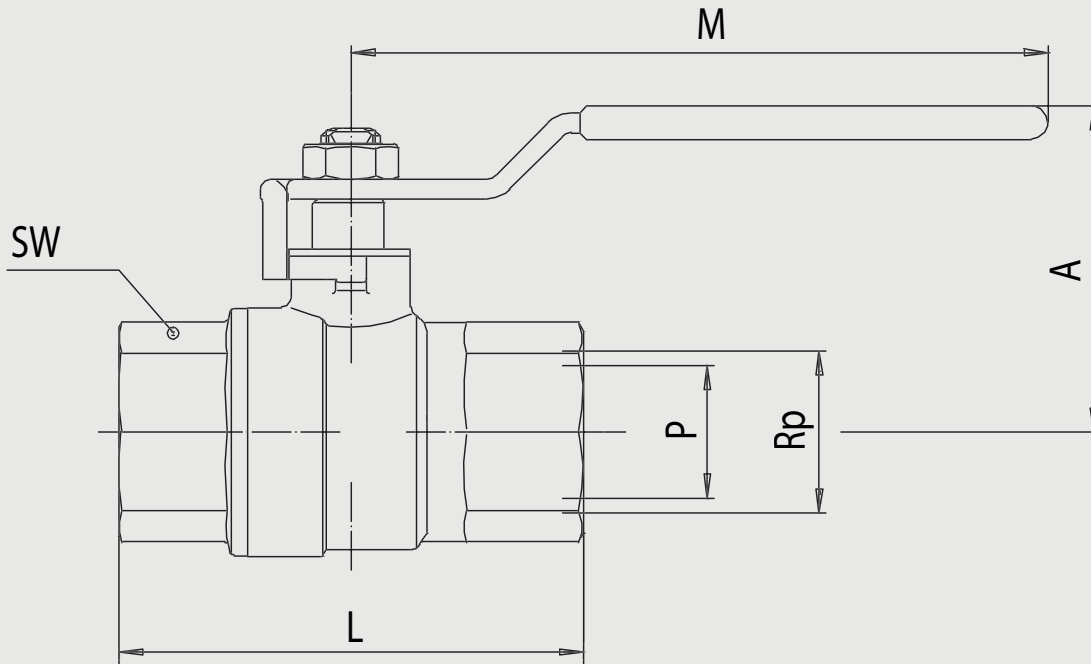
See mounting reference for industrial valves.

MEDIUM

Neutral gases and liquids. For applications with aggressive media consult resistance table. Certain media may increase the torque.

OPERATION (Standard)

Lever SS 304



Ball Valve 2-way with pipe threads and SS 304 lever G3031

Nominal[mm] connection[mm]		max. press. [bar] PN	DN	SW	Kv [m3/h]	Dimension [mm] and weight [kg]					Order Code
DN	Rp					P	A	L	M	Weight	
15	G1/2	25	14		16	14	45	49	84	0,149	3GE-3031-04
20	G3/4	25	19		30	19	53	56	93	0,248	3GE-3031-05
25	G1	25	24		45	24	56	70	93	0,381	3GE-3031-06
32	G1.1/4	25	30		70	30	68	79	115	0,596	3GE-3031-07
40	G1.1/2	25	37		115	37	77	89	126	0,870	3GE-3031-08
50	G2	25	46,5		210	46,5	86	104	158	1,341	3GE-3031-09

