

**Manually operated
2-Way 2-piece
Brass Nickel Plated ball valve**

G3030I



G3030I

Solid, manually operated 2-piece 2-Way nickel-plated brass ball valve with SS 304 lever

SIZE

DN14 (1/2") to DN46,5 (2")
Reduced bore

CONNECTION

- 2-sided female thread according to (DIN 228/1)

NOMINAL PRESSURE

PN25

TEMPERATURE RANGE

-20° to 110°C

MATERIALS

Brass according to UNE-EN 12165
Body: Brass (CW617N)
Ball: Brass (CW617N) Chrome-plated
Ball seal: PTFE
Shaft: Brass (CW617N) Chrome-plated
Shaft sealing: PTFE
O-Ring: NBR
Packed gland PTFE
Lever: SS 304

FLOW DIRECTION

Random

MOUNTING POSITION

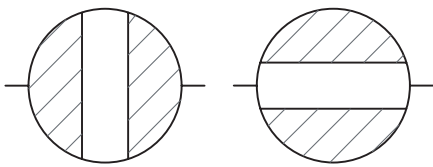
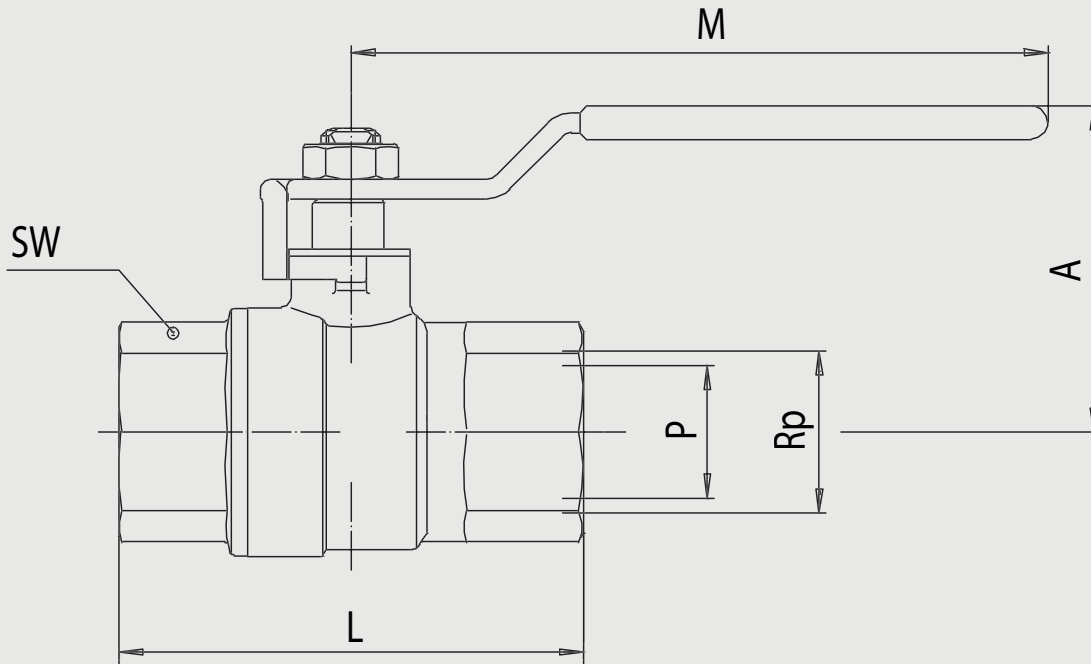
See mounting reference for industrial valves.

MEDIUM

Neutral gases and liquids. For applications with aggressive media consult resistance table. Certain media may increase the torque.

OPERATION (Standard)

Lever SS 304



Ball Valve 2-way with pipe threads and SS 304 lever G3030I

| Nominal[mm] connection[mm] | | max. press. [bar] PN | P | SW | Kv [m3/h] | Dimension [mm] and weight [kg] | | | | | Order Code |
|-------------------------------|--------|-------------------------------|------|----|-----------|--------------------------------|----|-----|-----|--------|--------------|
| DN | Rp | | | | | P | A | L | M | Weight | |
| 15 | G1/2 | 25 | 14 | | 16 | 14 | 45 | 49 | 84 | 0,149 | 3GE-3030I-04 |
| 20 | G3/4 | 25 | 19 | | 30 | 19 | 53 | 56 | 93 | 0,244 | 3GE-3030I-05 |
| 25 | G1 | 25 | 24 | | 45 | 24 | 56 | 70 | 93 | 0,374 | 3GE-3030I-06 |
| 30 | G1.1/4 | 25 | 30 | | 70 | 30 | 68 | 79 | 115 | 0,589 | 3GE-3030I-07 |
| 40 | G1.1/2 | 25 | 37 | | 115 | 37 | 77 | 89 | 126 | 0,855 | 3GE-3030I-08 |
| 50 | G2 | 25 | 46,5 | | 210 | 46,5 | 86 | 104 | 158 | 1,349 | 3GE-3030I-09 |

