

**Manually operated
2-Way 2-piece
Brass Nickel Plated ball valve**

G3023



G3023

Solid, manually operated 2-piece 2-Way nickel-plated brass ball valve with ISO Top for direct mounting actuator

SIZE

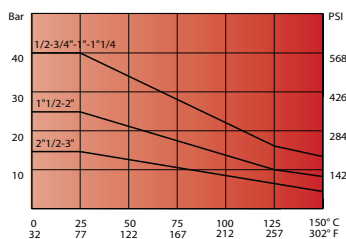
DN15 (1/2") to DN50 (2") Full bore

CONNECTION

- 2-Sided female thread according to UNI EN 10226 (DIN ISO 7/1)
- Mounting flange according to ISO 5211

NOMINAL PRESSURE

PN40



TEMPERATURE RANGE

From -20° to +110°C

MATERIALS

- Body: Brass CW 617 N UNI EN 12165
- Ball: Brass, hard chrome CW 614 N UNI EN 12164
- Ball seal: PTFE
- Shaft: Brass, chrome plated CW 614 N UNI EN 12164
- Shaft sealing: PTFE
- O-Ring: NBR
- Stuffing box gland: CW 614 N brass UNI EN 12164
- Packed gland PTFE

FLOW DIRECTION

Random

MOUNTING POSITION

See mounting reference for industrial valves.

MEDIUM

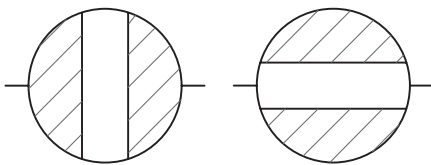
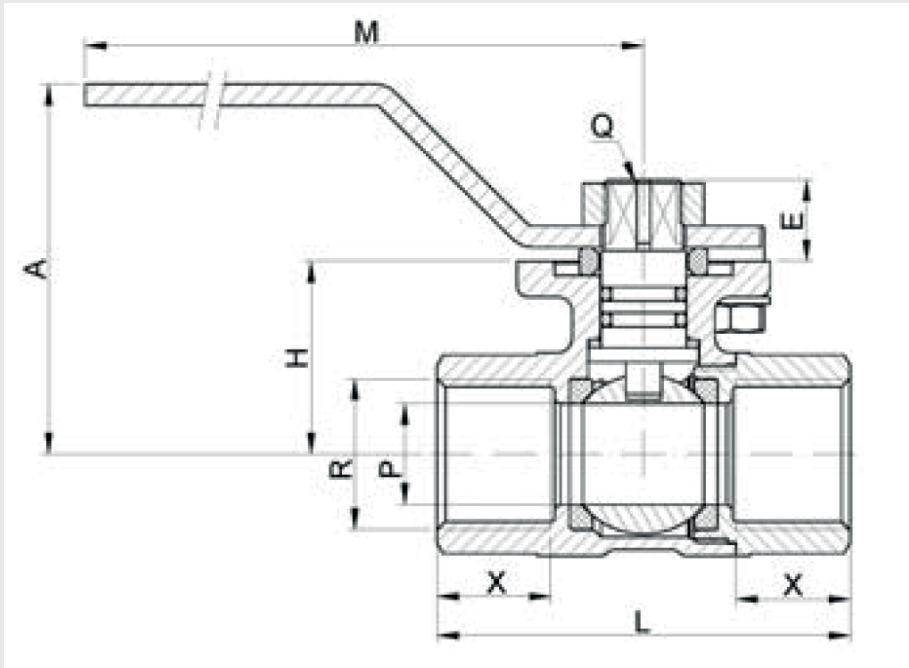
Neutral gases and liquids. For applications with aggressive media consult resistance table. Certain media may increase the torque.

OPERATION (Standard)

Lever

OPTIONS AND ACCESSORIES

Lever



Ball Valve 2-way with pipe threads, ISO Top and lever

Nominal[mm] connection[mm]		max. press. [bar]	M(1) +30% [Nm]	Flange	Square	Kv [m3/h]	Dimension [mm] and weight [kg]							Order Code	
DN	Rp	PN					P	A	M	L	X	H	E	Weight	
15	G1/2	40	4,2	F03	9	16	14,3	52	103,5	58	15	27	11,5	0,274	3GE-3023-04
20	G3/4	40	5,6	F03	9	30	19	57	103,5	65	16	32	11	0,376	3GE-3023-05
25	G1	40	8,4	F04	9	45	23,8	60	11,5	78	19,5	35	11	0,564	3GE-3023-06
32	G1.1/4	40	9,8	F05	11	70	30	68,8	138,5	88	19,5	43,3	13,5	0,927	3GE-3023-07
40	G1.1/2	25	13	F05	11	115	37,3	74,3	138,5	105	24,6	48,8	13,5	1,254	3GE-3023-08
50	G2	25	25	F05	11	210	46,5	85,5	138,5	122	26,5	60	13,8	1,886	3GE-3023-09

