

**Electrically operated
3-Way
Brass Nickel Plated ball valve**

E8505



E8505

Solid, electrically operated 3-Way brass nickel plated ball valve with L-Bore, T1, T2 or T3-Bore and JJ J+J J4C double acting brushless actuator

SIZE

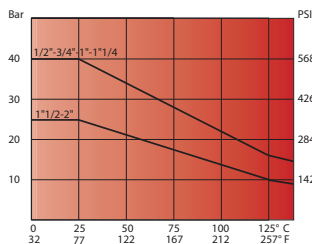
DN08 (1/4") to DN50 (2")

CONNECTION

- 2-Sided female thread according to UNI EN 10226 (DIN ISO 7/1)
- Mounting flange according to ISO 5211

NOMINAL PRESSURE

From PN40 (1/4) to PN25 (2")



TEMPERATURE RANGE

From -20° to +130°C

MATERIALS

Body: Brass CW 617 N UNI EN 12165
 Ball: Brass, hard chrome CW 614 N UNI EN 12164
 Ball seal: PTFE
 Shaft: Brass, hard chrome CW 614 N UNI EN 12164
 Shaft sealing: PTFE
 O-Ring: Elastomer
 Stuffing box gland: Brass CW

FLOW DIRECTION

Random

MOUNTING POSITION

See mounting reference for industrial valves.

MEDIUM

Neutral gases and liquids. For applications with aggressive media consult resistance table. Certain media may increase the torque.

OPERATION (Standard)

With electric actuator.

VOLTAGE

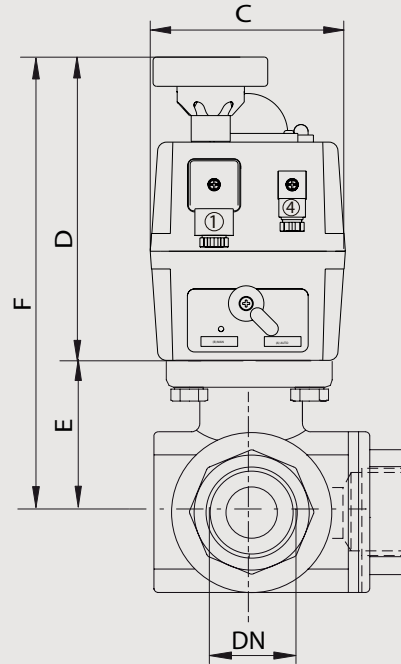
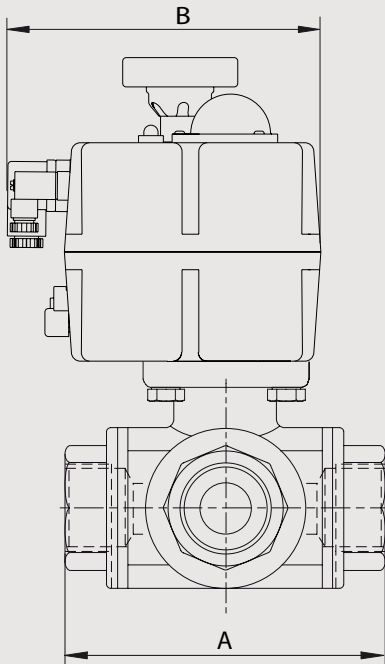
12V AC/DC, 24-240V AC/DC

SOME ADVANTAGES

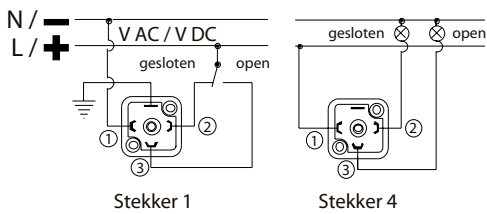
- IP 67
- Brushless Motor.
- ETL (Electrical torque limiter).
- AVS (Automatic voltage recognition).
- ATC (Automatic temperature control to avoid condensation).
- MO (Manual emergency override).
- VFC (2 integrated potential free microswitches for feedback).
- VCO (A continues lighting 2 color LED indicates normal operation of the actuator).
- PES (Protected electrical supply, the J3 accepts the same wiring connection for either AC or DC operation)

OPTIONS AND ACCESSORIES

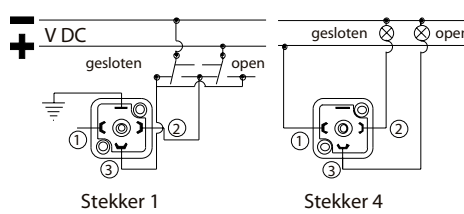
Security power unit BSR, potentiometer for feedback, Positioner DPS, 0-10volt of 4-20mA



AC/DC 3 draads aansluiting



DC 2 draads aansluiting



Boring en schakelstand

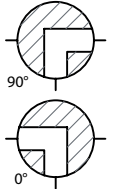
Boring	T				L
90°					
0°					
L	T1 = 04	T2 = 05	T3 = 06	L4 = 03	

**Electrically operated
3-Way
Brass Nickel Plated ball valve**

E8505

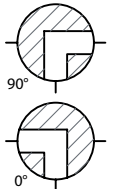
Double-acting ball valve, L4-bore with pipe threads, 12 Volt AC/DC

Nominal[mm] connection[mm]		max. press. [bar] PN	M(1) +30% [Nm]	Flange	Square	Kv [m3/h]	Electrical Actuator	Dimension [mm] and weight [kg]							Order Code
DN	Rp							A	B	C	D	E	F	Weight	
8	G1/4	40	7,2	F03	9	5,9	B020	64,5	177	110	149	38	187	2,00	3E8505030512
10	G3/8	40	7,2	F03	9	9,4	B020	64,5	177	110	149	38	187	1,95	3E8505031012
15	G1/2	40	7,2	F03	9	17	B020	64,5	177	110	149	38	187	1,90	3E8505031512
20	G3/4	40	8,5	F03	9	41	B020	76	177	110	149	42	191	2,20	3E8505032012
25	G1	40	12,5	F03/F04	9	70	B020	97	177	110	149	46,5	195,5	2,70	3E8505032512
32	G1.1/4	40	19,5	F04/F05	11	121	B020	118	177	110	149	61,5	210,5	4,50	3E8505033012
40	G1.1/2	25	32,5	F04/F05	11	200	B035	135	177	110	171	63,5	234,5	5,10	3E8505033512
50	G2	25	43	F05	14	292	B055	157	177	110	196	74	270	7,10	3E8505034012



Double-acting ball valve, L4-bore with pipe threads, 24-240 Volt AC/DC

Nominal[mm] connection[mm]		max. press. [bar] PN	M(1) +30% [Nm]	Flange	Square	Kv [m3/h]	Electrical Actuator	Dimension [mm] and weight [kg]							Order Code
DN	Rp							A	B	C	D	E	F	Weight	
8	G1/4	40	7,2	F03	9	5,9	S020	64,5	177	110	149	38	187	2,00	3E8505030544
10	G3/8	40	7,2	F03	9	9,4	S020	64,5	177	110	149	38	187	1,95	3E8505031044
15	G1/2	40	7,2	F03	9	17	S020	64,5	177	110	149	38	187	1,90	3E8505031544
20	G3/4	40	8,5	F03	9	41	S020	76	177	110	149	42	191	2,20	3E8505032044
25	G1	40	12,5	F03/F04	9	70	S020	97	177	110	149	46,5	195,5	2,70	3E8505032544
32	G1.1/4	40	19,5	F04/F05	11	121	S020	118	177	110	149	61,5	210,5	4,50	3E8505033044
40	G1.1/2	25	32,5	F04/F05	11	200	S035	135	177	110	171	63,5	234,5	5,10	3E8505033544
50	G2	25	43	F05	14	292	S055	157	177	110	196	74	270	7,10	3E8505034044

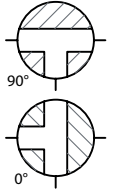


**Electrically operated
3-Way
Brass Nickel Plated ball valve**

E8505

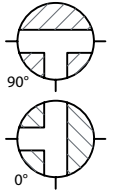
Double-acting ball valve, T1-bore with pipe threads, 12 Volt AC/DC

Nominal[mm] connection[mm]		max. press. [bar] PN	M(1) +30% [Nm]	Flange	Square	Kv [m3/h]	Electrical Actuator	Dimension [mm] and weight [kg]							Order Code
DN	Rp							A	B	C	D	E	F	Weight	
8	G1/4	40	7,2	F03	9	5,9	B020	64,5	177	110	149	38	187	2,00	3E8505040512
10	G3/8	40	7,2	F03	9	9,4	B020	64,5	177	110	149	38	187	1,95	3E8505041012
15	G1/2	40	7,2	F03	9	17	B020	64,5	177	110	149	38	187	1,90	3E8505041512
20	G3/4	40	8,5	F03	9	41	B020	76	177	110	149	42	191	2,20	3E8505042012
25	G1	40	12,5	F03/F04	9	70	B020	97	177	110	149	46,5	195,5	2,70	3E8505042512
32	G1.1/4	40	19,5	F04/F05	11	121	B020	118	177	110	149	61,5	210,5	4,50	3E8505043012
40	G1.1/2	25	32,5	F04/F05	11	200	B035	135	177	110	171	63,5	234,5	5,10	3E8505043512
50	G2	25	43	F05	14	292	B055	157	177	110	196	74	270	7,10	3E8505044012



Double-acting ball valve, T1-bore with pipe threads, 24-240 Volt AC/DC

Nominal[mm] connection[mm]		max. press. [bar] PN	M(1) +30% [Nm]	Flange	Square	Kv [m3/h]	Electrical Actuator	Dimension [mm] and weight [kg]							Order Code
DN	Rp							A	B	C	D	E	F	Weight	
8	G1/4	40	7,2	F03	9	5,9	S020	64,5	177	110	149	38	187	2,00	3E8505040544
10	G3/8	40	7,2	F03	9	9,4	S020	64,5	177	110	149	38	187	1,95	3E8505041044
15	G1/2	40	7,2	F03	9	17	S020	64,5	177	110	149	38	187	1,90	3E8505041544
20	G3/4	40	8,5	F03	9	41	S020	76	177	110	149	42	191	2,20	3E8505042044
25	G1	40	12,5	F03/F04	9	70	S020	97	177	110	149	46,5	195,5	2,70	3E8505042544
32	G1.1/4	40	19,5	F04/F05	11	121	S020	118	177	110	149	61,5	210,5	4,50	3E8505043044
40	G1.1/2	25	32,5	F04/F05	11	200	S035	135	177	110	171	63,5	234,5	5,10	3E8505043544
50	G2	25	43	F05	14	292	S055	157	177	110	196	74	270	7,10	3E8505044044

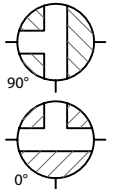


**Electrically operated
3-Way
Brass Nickel Plated ball valve**

E8505

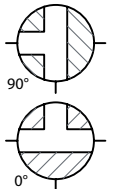
Double-acting ball valve, T2-bore with pipe threads, 12 Volt AC/DC

Nominal[mm] connection[mm]		max. press. [bar] PN	M(1) +30% [Nm]	Flange	Square	Kv [m3/h]	Electrical Actuator	Dimension [mm] and weight [kg]							Order Code
DN	Rp							A	B	C	D	E	F	Weight	
8	G1/4	40	7,2	F03	9	5,9	B020	64,5	177	110	149	38	187	2,00	3E8505050512
10	G3/8	40	7,2	F03	9	9,4	B020	64,5	177	110	149	38	187	1,95	3E8505051012
15	G1/2	40	7,2	F03	9	17	B020	64,5	177	110	149	38	187	1,90	3E8505051512
20	G3/4	40	8,5	F03	9	41	B020	76	177	110	149	42	191	2,20	3E8505052012
25	G1	40	12,5	F03/F04	9	70	B020	97	177	110	149	46,5	195,5	2,70	3E8505052512
32	G1.1/4	40	19,5	F04/F05	11	121	B020	118	177	110	149	61,5	210,5	4,50	3E8505053012
40	G1.1/2	25	32,5	F04/F05	11	200	B035	135	177	110	171	63,5	234,5	5,10	3E8505053512
50	G2	25	43	F05	14	292	B055	157	177	110	196	74	270	7,10	3E8505054012



Double-acting ball valve, T2-bore with pipe threads, 24-240 Volt AC/DC

Nominal[mm] connection[mm]		max. press. [bar] PN	M(1) +30% [Nm]	Flange	Square	Kv [m3/h]	Electrical Actuator	Dimension [mm] and weight [kg]							Order Code
DN	Rp							A	B	C	D	E	F	Weight	
8	G1/4	40	7,2	F03	9	5,9	S020	64,5	177	110	149	38	187	2,00	3E8505050544
10	G3/8	40	7,2	F03	9	9,4	S020	64,5	177	110	149	38	187	1,95	3E8505051044
15	G1/2	40	7,2	F03	9	17	S020	64,5	177	110	149	38	187	1,90	3E8505051544
20	G3/4	40	8,5	F03	9	41	S020	76	177	110	149	42	191	2,20	3E8505052044
25	G1	40	12,5	F03/F04	9	70	S020	97	177	110	149	46,5	195,5	2,70	3E8505052544
32	G1.1/4	40	19,5	F04/F05	11	121	S020	118	177	110	149	61,5	210,5	4,50	3E8505053044
40	G1.1/2	25	32,5	F04/F05	11	200	S035	135	177	110	171	63,5	234,5	5,10	3E8505053544
50	G2	25	43	F05	14	292	S055	157	177	110	196	74	270	7,10	3E8505054044

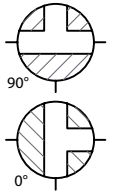


**Electrically operated
3-Way
Brass Nickel Plated ball valve**

E8505

Double-acting ball valve, T3-bore with pipe threads, 12 Volt AC/DC

Nominal[mm] connection[mm]		max. press. [bar] PN	M(1) +30% [Nm]	Flange	Square	Kv [m3/h]	Electrical Actuator	Dimension [mm] and weight [kg]							Order Code
DN	Rp							A	B	C	D	E	F	Weight	
8	G1/4	40	7,2	F03	9	5,9	B020	64,5	177	110	149	38	187	2,00	3E8505060512
10	G3/8	40	7,2	F03	9	9,4	B020	64,5	177	110	149	38	187	1,95	3E8505061012
15	G1/2	40	7,2	F03	9	17	B020	64,5	177	110	149	38	187	1,90	3E8505061512
20	G3/4	40	8,5	F03	9	41	B020	76	177	110	149	42	191	2,20	3E8505062012
25	G1	40	12,5	F03/F04	9	70	B020	97	177	110	149	46,5	195,5	2,70	3E8505062512
32	G1.1/4	40	19,5	F04/F05	11	121	B020	118	177	110	149	61,5	210,5	4,50	3E8505063012
40	G1.1/2	25	32,5	F04/F05	11	200	B035	135	177	110	171	63,5	234,5	5,10	3E8505063512
50	G2	25	43	F05	14	292	B055	157	177	110	196	74	270	7,10	3E8505064012



Double-acting ball valve, T3-bore with pipe threads, 24-240 Volt AC/DC

Nominal[mm] connection[mm]		max. press. [bar] PN	M(1) +30% [Nm]	Flange	Square	Kv [m3/h]	Electrical Actuator	Dimension [mm] and weight [kg]							Order Code
DN	Rp							A	B	C	D	E	F	Weight	
8	G1/4	40	7,2	F03	9	5,9	S020	64,5	177	110	149	38	187	2,00	3E8505060544
10	G3/8	40	7,2	F03	9	9,4	S020	64,5	177	110	149	38	187	1,95	3E8505061044
15	G1/2	40	7,2	F03	9	17	S020	64,5	177	110	149	38	187	1,90	3E8505061544
20	G3/4	40	8,5	F03	9	41	S020	76	177	110	149	42	191	2,20	3E8505062044
25	G1	40	12,5	F03/F04	9	70	S020	97	177	110	149	46,5	195,5	2,70	3E8505062544
32	G1.1/4	40	19,5	F04/F05	11	121	S020	118	177	110	149	61,5	210,5	4,50	3E8505063044
40	G1.1/2	25	32,5	F04/F05	11	200	S035	135	177	110	171	63,5	234,5	5,10	3E8505063544
50	G2	25	43	F05	14	292	S055	157	177	110	196	74	270	7,10	3E8505064044

