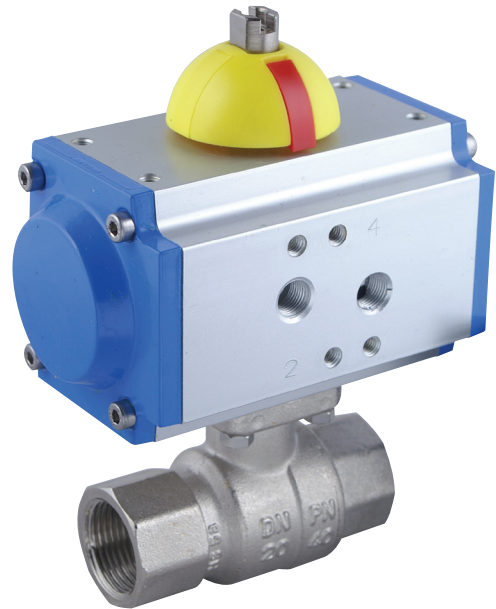


**Pneumatically operated
2-Way 2-piece
Brass Nickel Plated ball valve**

P8300A



P8300A

Solid, pneumatically operated 2-piece 2-Way nickel-plated brass ball valve with GT actuator in double acting and single acting version.

SIZE

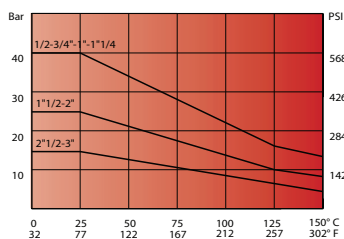
DN08 (1/4") to DN32 (1.1/4") Full bore

CONNECTION

- 2-Sided female thread according to UNI EN 10226 (DIN ISO 7/1)
- Mounting flange according to ISO 5211

NOMINAL PRESSURE

From PN40 (1/4) to PN16 (3")



TEMPERATURE RANGE

From -20° to +150°C

MATERIALS

Body: Brass CW 617 N UNI EN 12165
 Ball: Brass, hard chrome CW 614 N UNI EN 12164
 Ball seal: PTFE
 Shaft: Brass, hard chrome CW 614 N UNI EN 12164
 Shaft sealing: PTFE
 O-Ring: Elastomer
 Stuffing box gland: brass UNI EN 12164 CW 614 N
 Packed gland PTFE

FLOW DIRECTION

Random

MOUNTING POSITION

See mounting reference for industrial valves.

MEDIUM

MEDIUM

Neutral gases and liquids. For applications with aggressive media consult resistance table. Certain media may increase the torque.

OPERATION (Standard)

With pneumatic actuator double acting or single acting (spring closing "NC" or spring opening "NO") version.

CONTROL MEDIUM

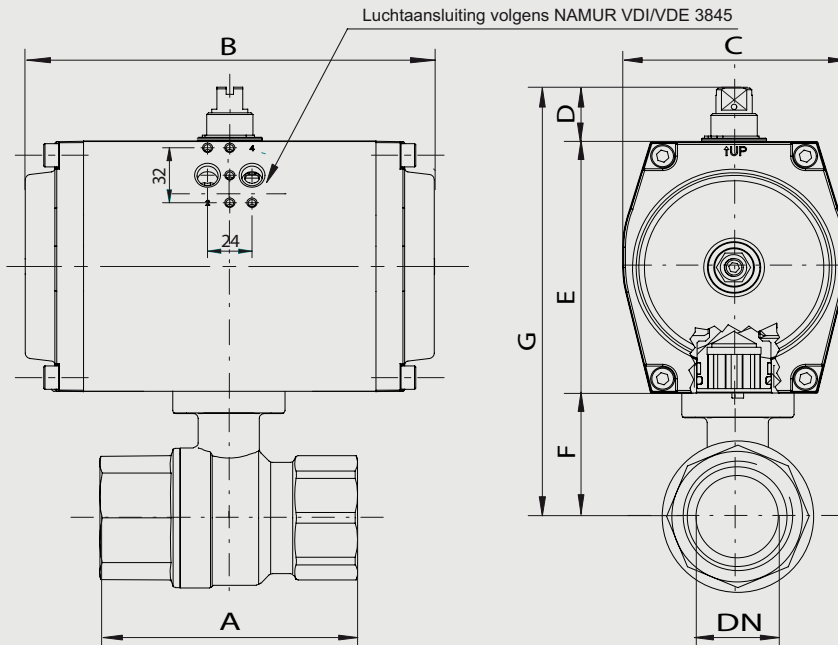
Compressed air or inert gases according PNEUROP/ISO class 4, other control medium on request.

CONTROL PRESSURE

- 5,5 bar, other control pressure on request.

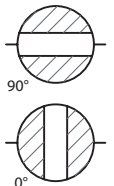
OPTIONS AND ACCESSORIES

Mechanical or inductive limit switches mounted in a switch box or single mounted on the actuator.



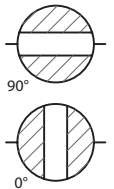
Double-acting ball valve with pipe threads

Nominal[mm] connection[mm]		max. press. [bar]	M(1) +30% [Nm]	Flange	Squa- re	Kv	Pneumatic Actua- tor	Dimension [mm] and weight [kg]							Order Code	
DN	Rp	PN						A	B	C	D	E	F	G	Weight	
8	1/4	40	2,8	F03	9	5,9	GTKB-043x90	75	116	61,5	30	65	38	133	1,10	3P83000005A
10	3/8	40	2,8	F03	9	9,4	GTKB-043x90	75	116	61,5	30	65	38	133	1,00	3P83000010A
15	1/2	40	4,2	F03	9	17	GTKB-043x90	75	116	61,5	30	65	38	133	1,00	3P83000015A
20	3/4	40	5,6	F03	9	41	GTKB-043x90	80	116	61,5	30	65	40,5	135,5	1,10	3P83000020A
25	1	40	8,4	F03/F04	9	70	GTKB-043x90	90	116	61,5	30	65	44	139	1,40	3P83000025A
32	1.1/4	40	9,8	F04/F05	11	121	GTKB-044x90	110	116	61,5	30	65	55	150	1,70	3P83000030A



Single-acting ball valve with pipe threads, NC

Nominal[mm] connection[mm]		max. press. [bar]	M(1) +30% [Nm]	Flange	Squa- re	Kv	Pneumatic Actua- tor	Dimension [mm] and weight [kg]							Order Code	
DN	Rp	PN						A	B	C	D	E	F	G	Weight	
8	1/4	40	2,8	F03	9	5,9	GTKB-0430/06	75	116	61,5	30	65	38	133	1,20	3P83000105A
10	3/8	40	2,8	F03	9	9,4	GTKB-043x90/06	75	116	61,5	30	65	38	133	1,10	3P83000110A



Single-acting ball valve with pipe threads, NO

Nominal[mm] connection[mm]		max. press. [bar]	M(1) +30% [Nm]	Flange	Squa- re	Kv	Pneumatic Actua- tor	Dimension [mm] and weight [kg]							Order Code	
DN	Rp	PN						A	B	C	D	E	F	G	Weight	
8	1/4	40	2,8	F03	9	5,9	GTKB-0430/06	75	116	61,5	30	65	38	133	1,20	3P83000205A
10	3/8	40	2,8	F03	9	9,4	GTKB-043x90/06	75	116	61,5	30	65	38	133	1,10	3P83000210A

