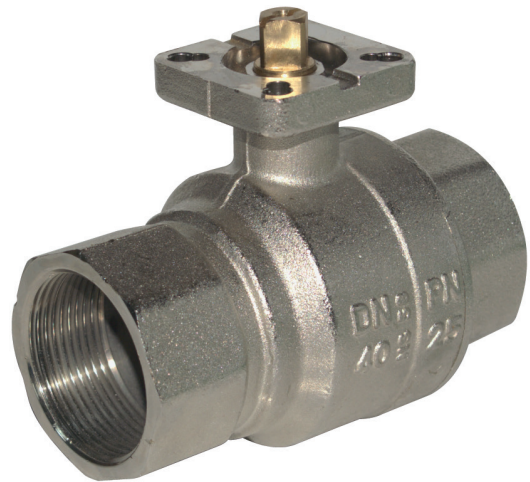


**Manually operated
2-Way 2-piece
Brass Nickel Plated ball valve**

H8000



H8000

Solid, manually operated 2-piece 2-Way nickel-plated brass ball valve with ISO Top for direct mounting actuator

SIZE

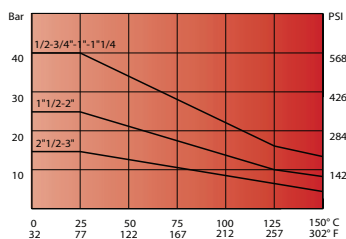
DN08 (1/4") to DN80 (3") Full bore

CONNECTION

- 2-Sided female thread according to UNI EN 10226 (DIN ISO 7/1)
- Mounting flange according to ISO 5211

NOMINAL PRESSURE

From PN40 (1/4) to PN16 (3")



TEMPERATURE RANGE

From -20° to +150°C

MATERIALS

Body: Brass CW 617 N UNI EN 12165
 Ball: Brass, hard chrome CW 614 N UNI EN 12164
 Ball seal: PTFE
 Shaft: Brass, hard chrome CW 614 N UNI EN 12164
 Shaft sealing: PTFE
 O-Ring: Elastomer
 Stuffing box gland: CW 614 N brass UNI EN 12164
 Packed gland PTFE

FLOW DIRECTION

Random

MOUNTING POSITION

See mounting reference for industrial valves.

MEDIUM

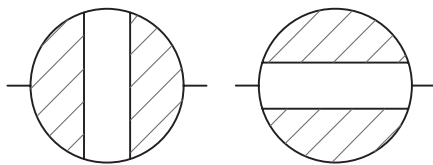
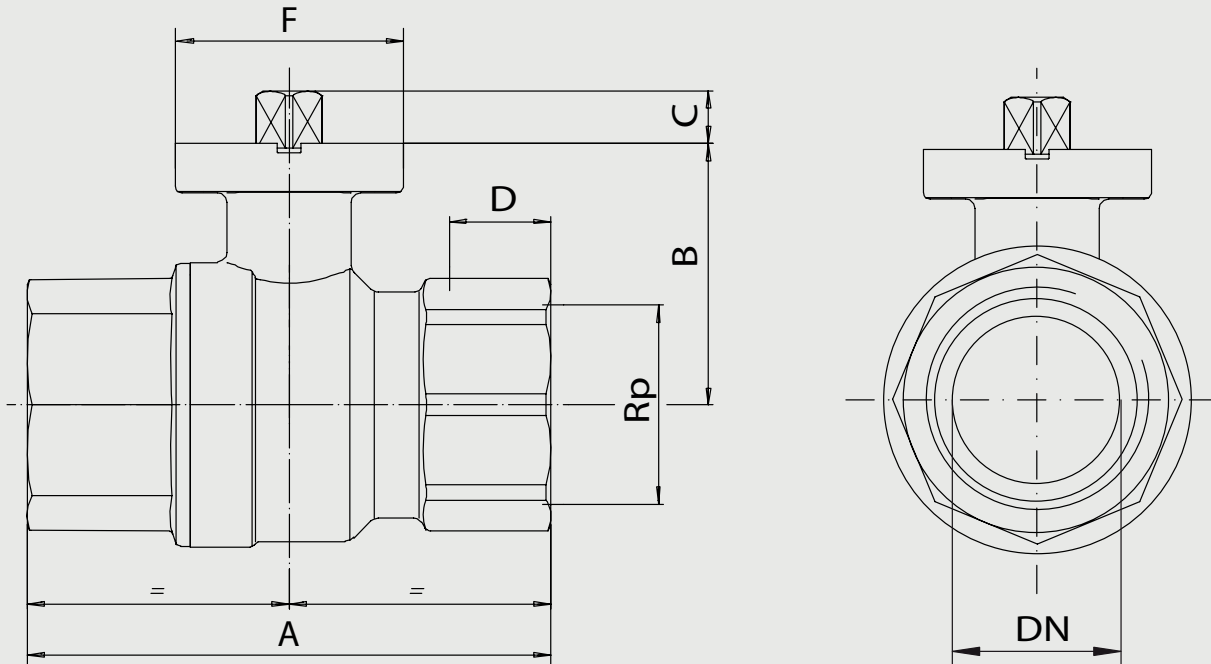
Neutral gases and liquids. For applications with aggressive media consult resistance table. Certain media may increase the torque.

OPERATION (Standard)

Bare shaft

OPTIONS AND ACCESSORIES

Lever



Ball Valve 2-way with pipe threads, ISO Top and lever

Nominal[mm] connection[mm]		max. press. [bar]	M(1) +30% [Nm]	Flange	Square	Kv	Dimension [mm] and weight [kg]								Order Code
DN	Rp	PN					A	B	C	D	E	F	G	Weight	
8	1/4	40	2,8	F03	9	5,9	75	38	9	15	26	37		0,412	3H80000005
10	3/8	40	2,8	F03	9	9,4	75	38	9	15	26	37		0,390	3H80000010
15	1/2	40	4,2	F03	9	17	75	38	9	15	26	37		0,342	3H80000015
20	3/4	40	5,6	F03	9	41	80	40,5	9	16,3	32	37		0,463	3H80000020
25	1	40	8,4	F03/F04	9	70	90	44	9	19,1	41	37		0,705	3H80000025
32	1.1/4	40	9,8	F04/F05	11	121	110	55	11	21,4	50	48		1,220	3H80000030
40	1.1/2	25	13	F04/F05	11	200	120	61,5	11	21,4	55	48		1,650	3H80000035
50	2	25	25	F05	14	292	140	73	14	25,7	70	48		2,888	3H80000040
65	2.1/2	16	38	F07	14	535	155	82,8	15,5	30,2	83	68		3,285	3H80000045
80	3	16	46	F07	14		182	94,5	15,5	33,3	98	68		5,800	3H80000050

