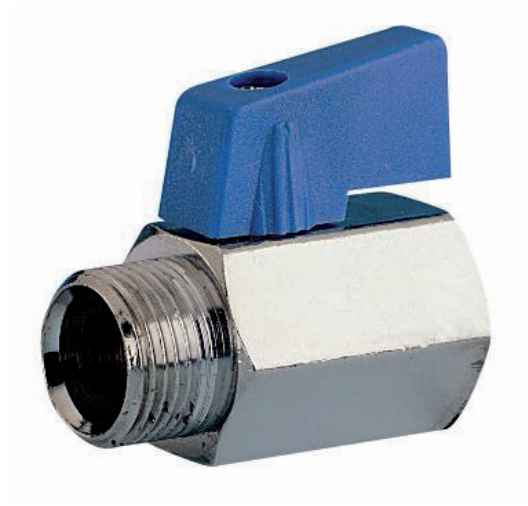


**Manually operated
2-Way 1-piece
Brass Nickel Plated ball valve**

G3397



G3397

Mini, manually operated 1-piece 2-Way
nickel-plated brass ball valve with lever

SIZE

DN7 (1/8") to DN13 (3/4")
Reduced bore

CONNECTION

- female thread male thread according to (DIN 228/1)

NOMINAL PRESSURE

PN16

TEMPERATURE RANGE

Max 120°C

MATERIALS

Brass according to UNE-EN 12165
Body: Brass Chrome Plated
Ball: Brass Chrome Plated
Ball seal: PTFE
Shaft: Chrome Plated
Shaft sealing: PTFE
O-Ring: NBR
Packed gland PTFE
Lever: Nylon

FLOW DIRECTION

Random

MOUNTING POSITION

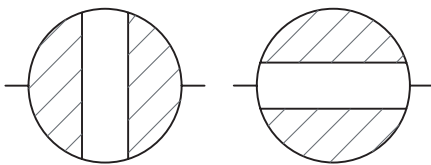
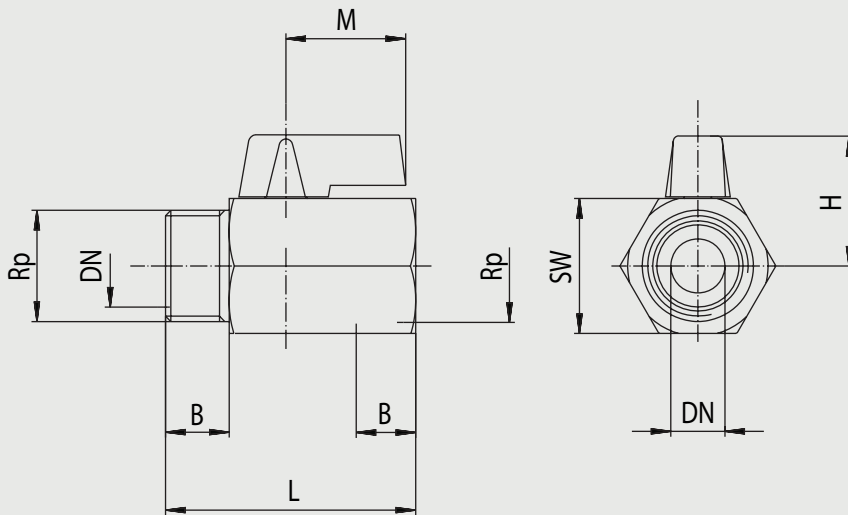
See mounting reference for industrial valves.

MEDIUM

Neutral gases and liquids. For applications with aggressive
media consult resistance table. Certain media may
increase the torque.

OPERATION (Standard)

Mini lever



Mini Ball Valve 2-way with pipe threads and lever G3397

Nominal[mm] connection[mm]		max. press. [bar] PN	DN	SW	-	Kv	Dimension [mm] and weight [kg]						Order Code	
DN	Rp						H	L	M	A	B		Weight	
5	G1/8	16	5						22					3G33970001
8	G1/4	16	8				27	39	22				0,075	3G33970005
8	G3/8	16	8				27	40	22				0,070	3G33970010
10	G1/2	16	10				29	45	22				0,110	3G33970015
12	G3/4	16	12				32	51	22				0,185	3G33970020

