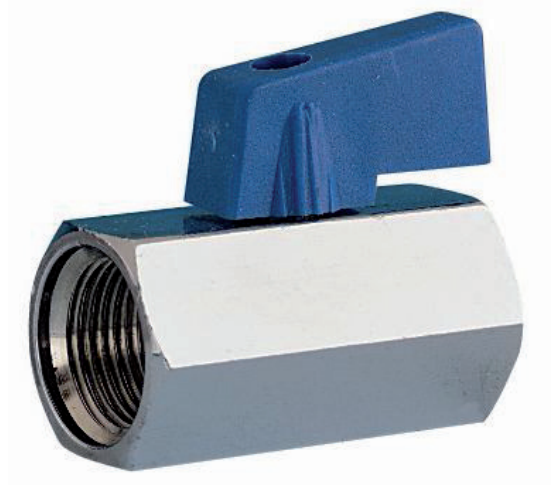


**Manually operated
2-Way 1-piece
Brass Nickel Plated ball valve**

G3396



G3396

Mini, manually operated 1-piece 2-Way
nickel-plated brass ball valve with lever

SIZE

DN7 (1/8") to DN13 (3/4")
Reduced bore

CONNECTION

- 2-sided female thread according to (DIN 228/1)

NOMINAL PRESSURE

PN16

TEMPERATURE RANGE

Max 120°C

MATERIALS

Brass according to UNE-EN 12165
Body: Brass Chrome Plated
Ball: Brass Chrome Plated
Ball seal: PTFE
Shaft: Chrome Plated
Shaft sealing: PTFE
O-Ring: NBR
Packed gland PTFE
Lever: Nylon

FLOW DIRECTION

Random

MOUNTING POSITION

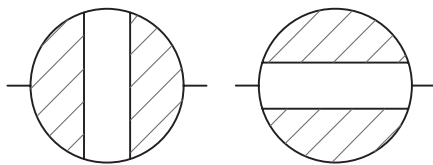
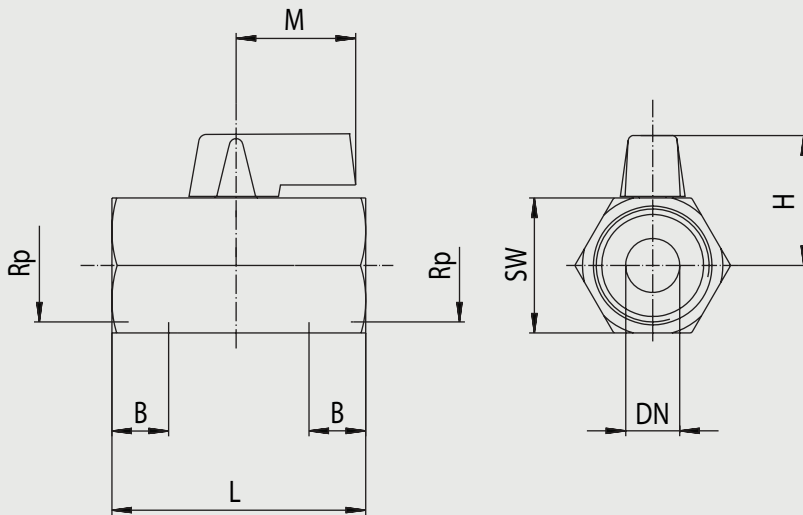
See mounting reference for industrial valves.

MEDIUM

Neutral gases and liquids. For applications with aggressive
media consult resistance table. Certain media may
increase the torque.

OPERATION (Standard)

Mini lever



Mini Ball Valve 2-way with pipe threads and lever G3396

Nominal[mm] connection[mm]		max. press. [bar] PN	DN	SW	-	Kv	Dimension [mm] and weight [kg]				Order Code	
DN	Rp						H	L	M	B	Weight	
7	G1/8	16	6,5				28	36	22		0,045	3G33960001
7	G1/4	16	6,5				28	37	22		0,045	3G33960005
8	G3/8	16	8				30	40	22		0,065	3G33960010
10	G1/2	16	10				33	44	22		0,100	3G33960015
13	G3/4	16	12,5				36	52	22		0,160	3G33960020

