

**Manually operated
2-Way 1-piece
Brass Nickel Plated ball valve**

G3096



G3096

Mini, manually operated 1-piece 2-Way nickel-plated brass ball valve with lever

SIZE

DN7 (1/8") to DN13 (3/4")
Reduced bore

CONNECTION

- 2-sided female thread according to (DIN 228/1)

NOMINAL PRESSURE

PN16

TEMPERATURE RANGE

From -20°C to 90°C

MATERIALS

Brass according to UNE-EN 12165
Body: Brass Chrome Plated (CW617N)
Ball: Brass Chrome Plated (CW617N)
Ball seal: PTFE
Shaft: Chrome Plated (CW617N)
Shaft sealing: PTFE
O-Ring: NBR
Packed gland PTFE
Lever: Aluminum

FLOW DIRECTION

Random

MOUNTING POSITION

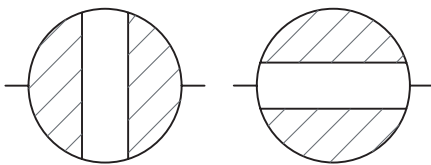
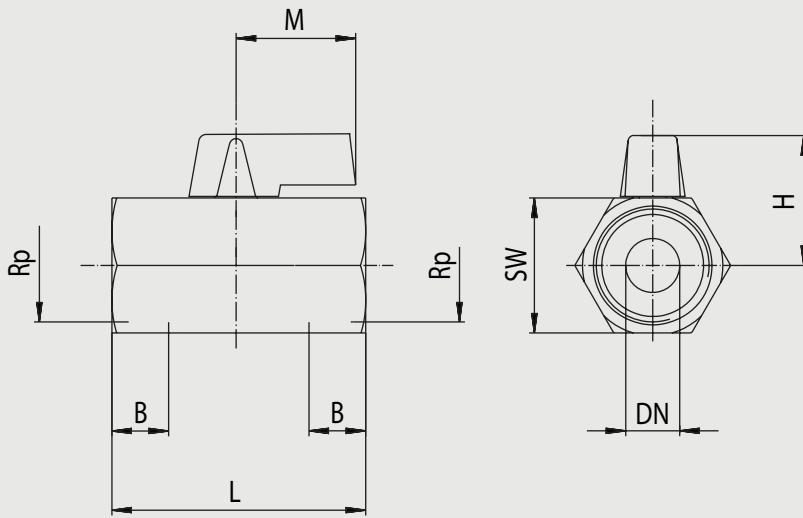
See mounting reference for industrial valves.

MEDIUM

Neutral gases and liquids. For applications with aggressive media consult resistance table. Certain media may increase the torque.

OPERATION (Standard)

Mini lever



Mini Ball Valve 2-way with pipe threads and lever G3096

Nominal[mm] connection[mm]		max. press. [bar] PN	DN	SW	-	Kv	Dimension [mm] and weight [kg]					Order Code	
DN	Rp						H	L	M	B		Weight	
7	G1/8	16	7				28	37	22			0,050	3G30960001
7	G1/4	16	7				28	39	22			0,050	3G30960005
8	G3/8	16	8				30	42	22			0,075	3G30960010
10	G1/2	16	10				33	46	22			0,105	3G30960015
13	G3/4	16	13				36	55	22			0,180	3G30960020

