

**Manually operated  
2-Way 2-piece  
Brass Nickel Plated ball valve**

# G3081



## G3081

Solid, manually operated 2-piece 2-Way  
brass ball valve with lever

### SIZE

DN12 (15mm) to DN50 (54mm)  
Full bore

### CONNECTION

- Welding ends

### NOMINAL PRESSURE

PN16

### TEMPERATURE RANGE

From -20°C to 90°C

### MATERIALS

Brass according to DIN 17660  
Body: Brass  
Ball: Brass Chrome Plated  
Ball seal: PTFE  
Shaft: Chrome Plated  
Shaft sealing: PTFE  
O-Ring: NBR  
Packed gland PTFE  
Lever: Steel Chrome

### FLOW DIRECTION

Random

### MOUNTING POSITION

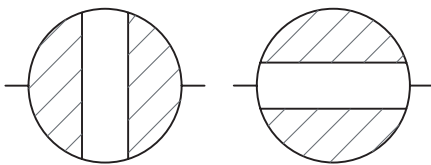
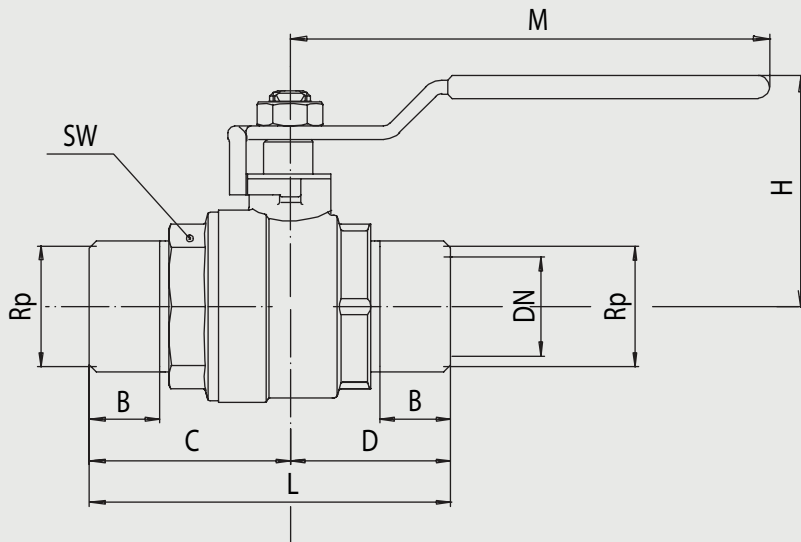
See mounting reference for industrial valves.

### MEDIUM

Neutral gases and liquids. For applications with aggressive  
media consult resistance table. Certain media may  
increase the torque.

### OPERATION (Standard)

Lever



**Ball Valve 2-way with welding connection and lever G3081**

Nominal[mm] connection[mm]		max. press. [bar] PN	DN	SW	-	Kv	Dimension [mm] and weight [kg]						Order Code	
DN	Rp						H	L	M	B	C	D		Weight
12	15	16	12			46	57	84					0,135	3G30811115
15	18	16	14			47	64	84					0,165	3G30811118
20	22	16	19			58	72	98					0,265	3G30811122
25	28	16	24			61	85	98					0,380	3G30811128
32	35	16	30			75	96	135					0,825	3G30811135
40	42	16	38			80	115	135					1,170	3G30811142
50	54	16	47			90	140	165					1,850	3G30811154

