

**Manually operated  
2-Way 3-piece  
Brass Nickel Plated ball valve**

**G3075**



**G3075**

Solid, manually operated 3-piece 2-Way nickel-plated brass ball valve with butterfly lever Angled version

**SIZE**

DN20 (3/4") to DN25 (1")  
Full bore

**CONNECTION**

- female thread male thread according to (DIN 228/1)

**NOMINAL PRESSURE**

PN25

**TEMPERATURE RANGE**

From -20°C to 90°C

**MATERIALS**

Brass according to UNE-EN 12165  
Body: Brass CW617N  
Ball: Brass CW617N, chrome plated  
Ball seal: PTFE  
Shaft: Chrome-plated Brass CW617N  
Shaft sealing: PTFE  
O-Ring: NBR  
Packed gland PTFE  
Lever: Aluminum

**FLOW DIRECTION**

Random

**MOUNTING POSITION**

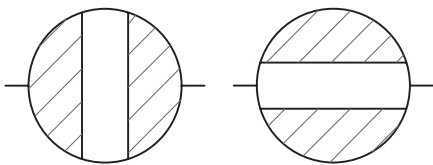
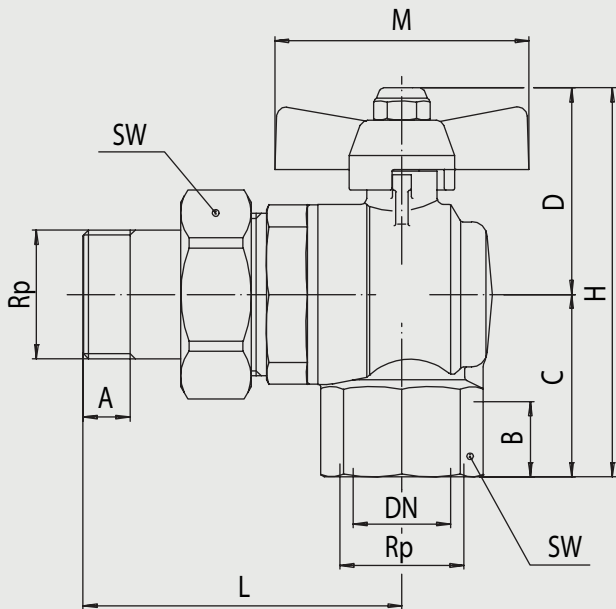
See mounting reference for industrial valves.

**MEDIUM**

Neutral gases and liquids. For applications with aggressive media consult resistance table. Certain media may increase the torque.

**OPERATION (Standard)**

Butterfly lever



**Ball Valve 2-way with pipe threads and blue butterfly lever G3046**

Nominal[mm] connection[mm]		max. press. [bar] PN	DN	SW	-	Kv	Dimension [mm] and weight [kg]							Order Code	
DN	Rp						H	L	M	A	B	C	D	Weight	
20	3/4x3/4	25	20				87	58	62					0,370	3G30750020
25	1x1	25	25				97	63	62					0,585	3G30750025

