

**Manually operated
2-Way 3-piece
Brass Nickel Plated ball valve**

G3048



G3048

Solid, manually operated 3-piece 2-Way nickel-plated brass ball valve with lever

SIZE

DN14 (1/2") to DN47 (2")
Full bore

CONNECTION

- female thread male thread according to (DIN 228/1)

NOMINAL PRESSURE

PN25

TEMPERATURE RANGE

From -20°C to 90°C

MATERIALS

Brass according to UNE-EN 12165
Body: Brass CW617N
Ball: Brass CW617N, chrome plated
Ball seal: PTFE
Shaft: Chrome-plated Brass CW617N
Shaft sealing: PTFE
O-Ring: NBR
Packed gland PTFE
Lever: Steel Chrome

FLOW DIRECTION

Random

MOUNTING POSITION

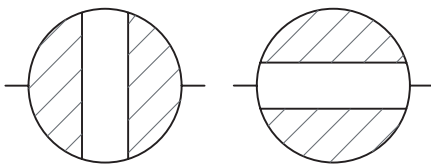
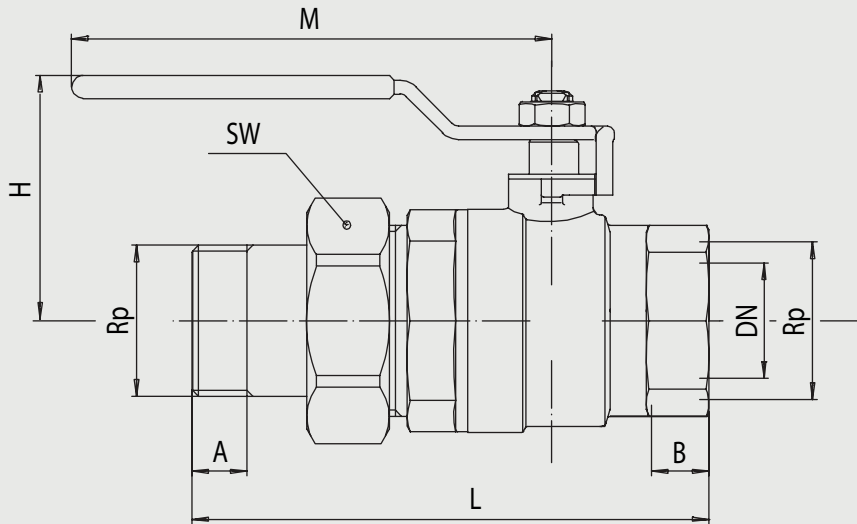
See mounting reference for industrial valves.

MEDIUM

Neutral gases and liquids. For applications with aggressive media consult resistance table. Certain media may increase the torque.

OPERATION (Standard)

Lever



Ball Valve 2-way with pipe threads and lever G3048

Nominal[mm] connection[mm]		max. press. [bar] PN	DN	SW	-	Kv	Dimension [mm] and weight [kg]						Order Code	
DN	Rp						H	L	M	A	B		Weight	
14	G1/2	25	14				47	69	84				0,205	3G30480015
19	G3/4	25	19				58	77	98				0,340	3G30480020
24	G1	25	24				61	92,5	98				0,525	3G30480025
30	G1.1/4	25	30				74	105,5	126				0,785	3G30480030
37	G1.1/2	25	37				80	119	126				1,145	3G30480035
47	G2	25	47				91	139	158				1,710	3G30480040

