

Manually operated
2-Way 2-piece
Brass Nickel Plated ball valve
G3036 / G3038



G3036 / G3038

Solid, manually operated 2-piece 2-Way
nickel-plated brass ball valve with butterfly lever

SIZE

DN10 (1/4") to DN24 (1")
Full bore

CONNECTION

- female thread male thread according to (DIN 228/1)

NOMINAL PRESSURE

PN25

TEMPERATURE RANGE

From -20°C to 90°C

MATERIALS

Brass according to UNE-EN 12165
Body: Brass (CW617N)
Ball: Brass (CW617N) Chrome-plated
Ball seal: PTFE
Shaft: Brass (CW617N) Chrome-plated
Shaft sealing: PTFE
O-Ring: NBR
Packed gland PTFE
Lever: Aluminum

FLOW DIRECTION

Random

MOUNTING POSITION

See mounting reference for industrial valves.

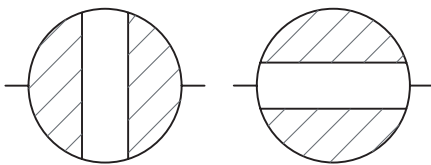
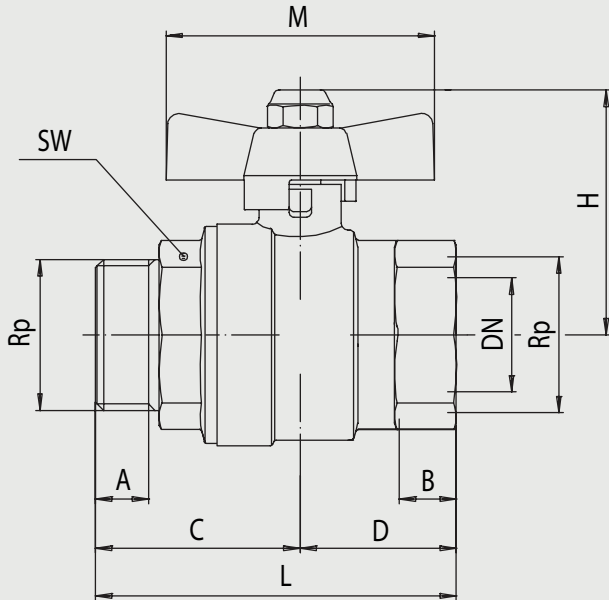
MEDIUM

Neutral gases and liquids. For applications with aggressive
media consult resistance table. Certain media may
increase the torque.

OPERATION (Standard)

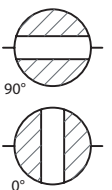
Butterfly lever

Manually operated
2-Way 2-piece
Brass Nickel Plated ball valve
G3036 / G3038



Ball Valve 2-way with pipe threads and blue butterfly lever G3036

Nominal[mm] connection[mm]		max. press. [bar] PN	DN	SW	-	Kv	Dimension [mm] and weight [kg]							Order Code		
DN	Rp						H	L	M	A	B	C	D		Weight	
10	G1/4	25	10				38	48	50						0,100	3G30360005
10	G3/8	25	10				38	49	50						0,105	3G30360010
15	G1/2	25	14				40	56	50						0,150	3G30360015
20	G3/4	25	19				50	64	62						0,250	3G30360020
25	G1	25	24				53	76	62						0,380	3G30360025



Ball Valve 2-way with pipe threads and red butterfly lever G3038

Nominal[mm] connection[mm]		max. press. [bar] PN	DN	SW	-	Kv	Dimension [mm] and weight [kg]							Order Code		
DN	Rp						H	L	M	A	B	C	D		Weight	
10	G1/4	25	10				38	48	50						0,100	3G30380005
10	G3/8	25	10				38	49	50						0,105	3G30380010
15	G1/2	25	14				40	56	50						0,150	3G30380015
20	G3/4	25	19				50	64	62						0,250	3G30380020
25	G1	25	24				53	76	62						0,380	3G30380025

