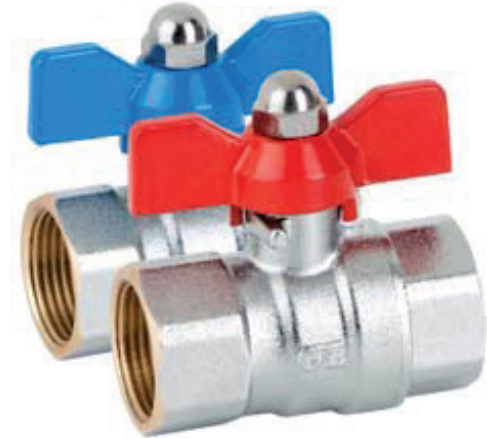


Manually operated  
2-Way 2-piece  
Brass Nickel Plated ball valve  
**G3035 / G3037**



**G3035 / G3037**

Solid, manually operated 2-piece 2-Way  
nickel-plated brass ball valve with butterfly lever

**SIZE**

DN10 (1/4") to DN24 (1")  
Full bore

**CONNECTION**

- 2-sided female thread according to (DIN 228/1)

**NOMINAL PRESSURE**

PN25

**TEMPERATURE RANGE**

From -20°C to 90°C

**MATERIALS**

Brass according to UNE-EN 12165  
Body: Brass (CW617N)  
Ball: Brass (CW617N) Chrome-plated  
Ball seal: PTFE  
Shaft: Brass (CW617N) Chrome-plated  
Shaft sealing: PTFE  
O-Ring: NBR  
Packed gland PTFE  
Lever: Aluminum

**FLOW DIRECTION**

Random

**MOUNTING POSITION**

See mounting reference for industrial valves.

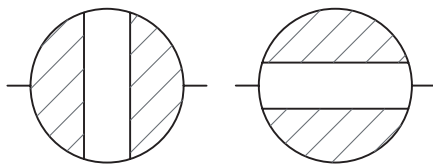
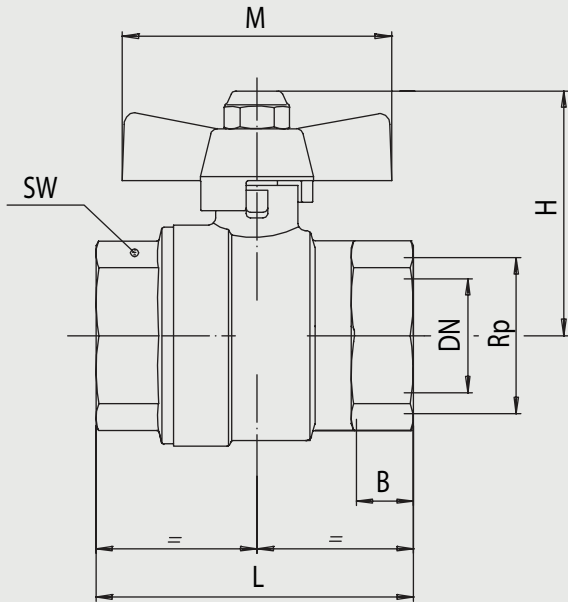
**MEDIUM**

Neutral gases and liquids. For applications with aggressive  
media consult resistance table. Certain media may  
increase the torque.

**OPERATION (Standard)**

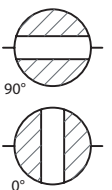
Butterfly lever

**Manually operated**  
**2-Way 2-piece**  
**Brass Nickel Plated ball valve**  
**G3035 / G3037**



**Ball Valve 2-way with pipe threads and blue butterfly lever G3035**

Nominal[mm] connection[mm]		max. press. [bar] PN	DN	SW	-	Kv	Dimension [mm] and weight [kg]						Order Code
DN	Rp						H	L	M	B	C	D	
10	G1/4	25	10			38	40	50	B	C	D	0,090	3G30350005
10	G3/8	25	10			38	43	50				0,100	3G30350010
15	G1/2	25	14			40	49	50				0,145	3G30350015
20	G3/4	25	19			50	56	62				0,240	3G30350020
25	G1	25	24			53	68	62				0,360	3G30350025



**Ball Valve 2-way with pipe threads and red butterfly lever G3037**

Nominal[mm] connection[mm]		max. press. [bar] PN	DN	SW	-	Kv	Dimension [mm] and weight [kg]						Order Code
DN	Rp						H	L	M	B			
10	G1/4	25	10			38	40	50	B			0,090	3G30370005
10	G3/8	25	10			38	43	50				0,100	3G30370010
15	G1/2	25	14			40	49	50				0,145	3G30370015
20	G3/4	25	19			50	56	62				0,240	3G30370020
25	G1	25	24			53	68	62				0,360	3G30370025

