

**Manually operated  
2-Way 2-piece  
Brass Nickel Plated ball valve**

# G3034



## G3034

Robuuste, manually bediende 2-delige 2-Weg messing vernikkelde kogelkraan met hendel

### SIZE

DN15 (1/2") to DN25 (1")  
Full bore

### CONNECTION

- female thread male thread according to (DIN 228/1)

### NOMINAL PRESSURE

PN25

### TEMPERATURE RANGE

-20° to 90°C

### MATERIALS

Brass according to UNE-EN 12165  
Body: Brass (CW617N)  
Ball: Brass (CW617N) Chrome-plated  
Ball seal: PTFE  
Shaft: Brass (CW617N) Chrome-plated  
Shaft sealing: PTFE  
O-Ring: NBR  
Packed gland PTFE  
Lever: Steel Chrome

### FLOW DIRECTION

Random

### MOUNTING POSITION

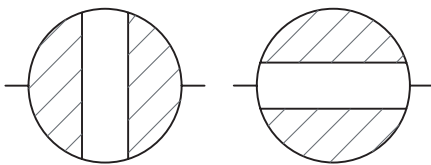
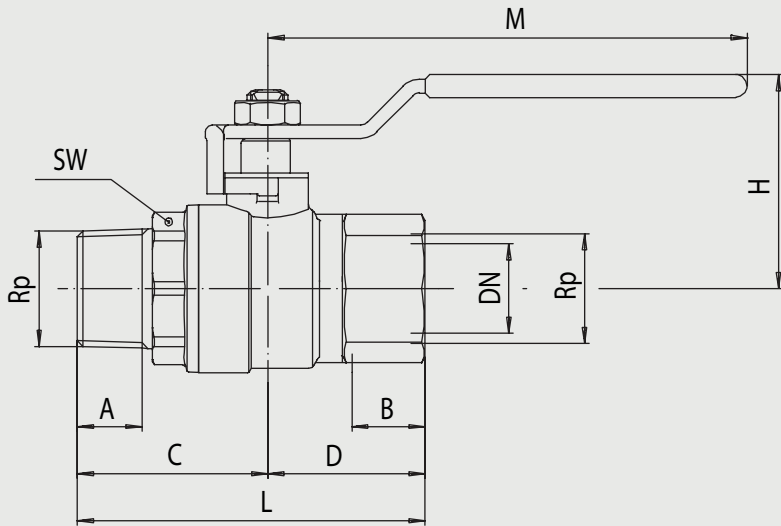
See mounting reference for industrial valves.

### MEDIUM

Neutral gases and liquids. For applications with aggressive media consult resistance table. Certain media may increase the torque.

### OPERATION (Standard)

Lever



**Ball Valve 2-way with pipe threads and lever G3034**

Nominal[mm] connection[mm]		max. press. [bar] PN	DN	SW	-	Kv	Dimension [mm] and weight [kg]							Order Code	
DN	Rp						H	L	M	A	B	C	D		Weight
10	G1/4	25	10				46	48	84					0,115	3G30340005
10	G3/8	25	10				46	49	84					0,120	3G30340010
15	G1/2	25	15				47	55	84					0,160	3G30340015
20	G3/4	25	20				58	64	98					0,270	3G30340020
25	G1	25	25				61	76	98					0,410	3G30340025
32	G1.1/4	25	32				74	87	126					0,650	3G30340030
40	G1.1/2	25	40				80	95	126					0,875	3G30340035
50	G2	25	50				91	109	158					1,370	3G30340040

