

**Manually operated
2-Way 2-piece
Brass Nickel Plated ball valve**

G3033



G3033

Solid, manually operated 2-piece 2-Way nickel-plated brass ball valve with lever

SIZE

DN15 (1/2") to DN25 (1")
Full bore

CONNECTION

- 2-sided female thread according to (DIN 228/1)

NOMINAL PRESSURE

PN25

TEMPERATURE RANGE

-20° to 90°C

MATERIALS

Brass according to DIN 17660
Body: Brass
Ball: Brass Chrome Plated
Ball seal: PTFE
Shaft: Chrome Plated
Shaft sealing: PTFE
O-Ring: NBR
Packed gland PTFE
Lever: Steel Chrome

FLOW DIRECTION

Random

MOUNTING POSITION

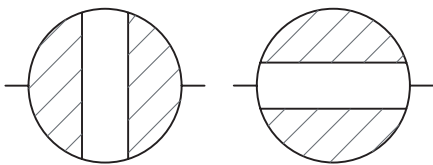
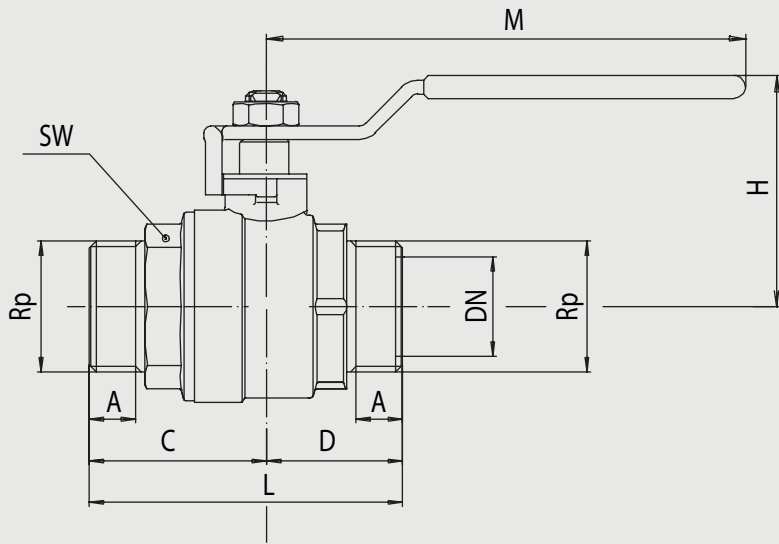
See mounting reference for industrial valves.

MEDIUM

Neutral gases and liquids. For applications with aggressive media consult resistance table. Certain media may increase the torque.

OPERATION (Standard)

Lever



Ball Valve 2-way with pipe threads and lever G3033

Nominal[mm] connection[mm]		max. press. [bar] PN	DN	SW	-	Kv	Dimension [mm] and weight [kg]						Order Code	
DN	Rp						H	L	M	A	C	D	Weight	
15	G1/2	25	15				47	56	84				0,160	3G30330015
20	G3/4	25	20				58	65	98				0,265	3G30330020
25	G1	25	25				61	78	98				0,400	3G30330025

