

**Manually operated
2-Way 2-piece
Brass Nickel Plated ball valve**

G3032



G3032

Solid, manually operated 2-piece 2-Way nickel-plated brass ball valve with lever and side inlet

SIZE

DN15 (1/2") to DN25 (1")
Full bore

CONNECTION

- 2-sided female thread according to (DIN 228/1)

NOMINAL PRESSURE

PN25

TEMPERATURE RANGE

-20° to 90°C

MATERIALS

Brass according to DIN 17660
Body: Brass
Ball: Brass Chrome Plated
Ball seal: PTFE
Shaft: Chrome Plated
Shaft sealing: PTFE
O-Ring: NBR
Packed gland PTFE
Lever: Steel Chrome

FLOW DIRECTION

Random

MOUNTING POSITION

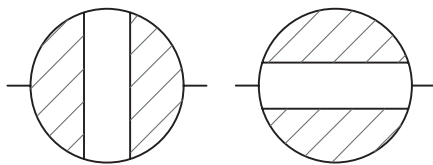
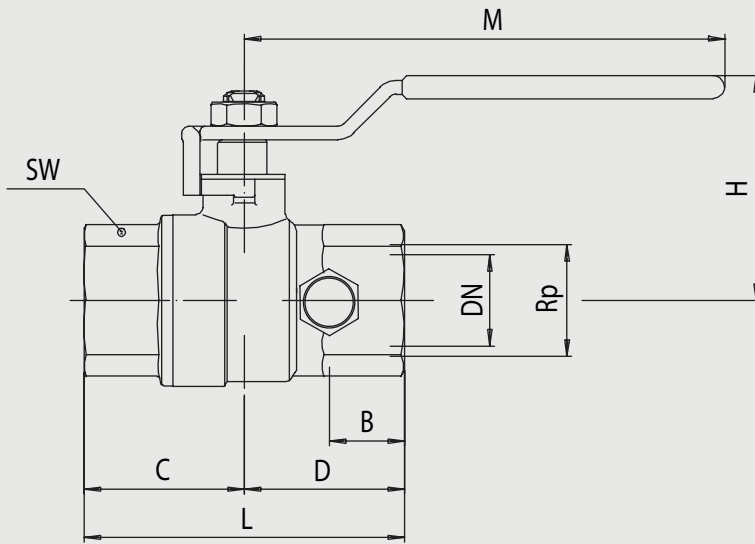
See mounting reference for industrial valves.

MEDIUM

Neutral gases and liquids. For applications with aggressive media consult resistance table. Certain media may increase the torque.

OPERATION (Standard)

Lever



Ball Valve 2-way with pipe threads and lever G3032

Nominal[mm] connection[mm]		max. press. [bar] PN	DN	SW	-	Kv	Dimension [mm] and weight [kg]						Order Code	
DN	Rp						H	L	M	B	C	D	Weight	
15	G1/2	25	15				47	52	84				0,180	3G30320015
20	G3/4	25	20				58	60	98				0,290	3G30320020
25	G1	25	25				61	72	98				0,425	3G30320025

