

**Manually operated
2-Way 2-piece
Brass Nickel Plated ball valve**

G3029



G3029

Solid, manually operated 2-piece 2-Way nickel-plated brass ball valve with lever

SIZE

DN10 (1/4") to DN92 (4")
Full bore

CONNECTION

- 2-sided female thread according to (DIN 228/1)

NOMINAL PRESSURE

PN25

TEMPERATURE RANGE

-20° to 90°C

MATERIALS

Brass according to UNE-EN 12165
Body: Brass (CW617N)
Ball: Brass (CW617N) Chrome-plated
Ball seal: PTFE
Shaft: Brass (CW617N) Chrome-plated
Shaft sealing: PTFE
O-Ring: NBR
Packed gland PTFE
Lever: Steel Chrome

FLOW DIRECTION

Random

MOUNTING POSITION

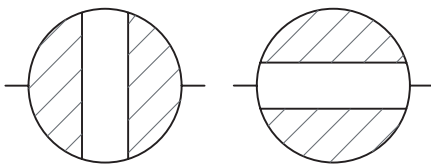
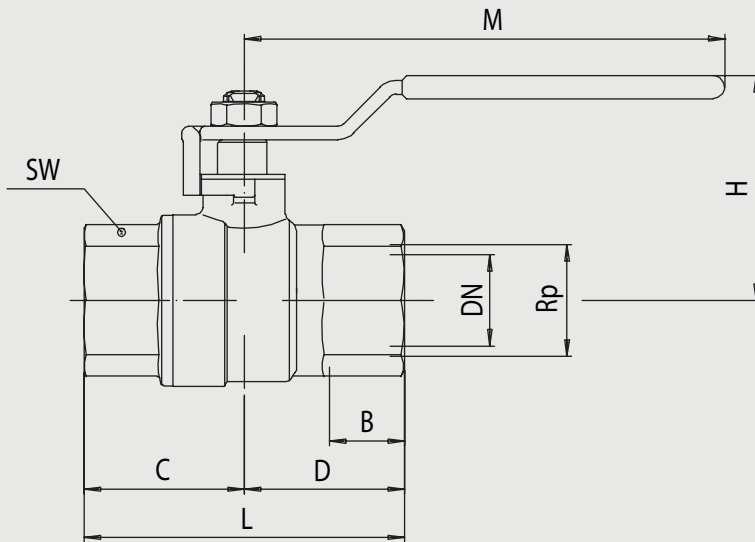
See mounting reference for industrial valves.

MEDIUM

Neutral gases and liquids. For applications with aggressive media consult resistance table. Certain media may increase the torque.

OPERATION (Standard)

Lever



Ball Valve 2-way with pipe threads and lever G3029

Nominal[mm] connection[mm]		max. press. [bar] PN	DN	SW	-	Kv	Dimension [mm] and weight [kg]							Order Code
DN	Rp						H	L	M	B	C	D	Weight	
10	G1/4	25	10				46	40	84				0,110	3G30290005
10	G3/8	25	10				46	43	84				0,115	3G30290010
15	G1/2	25	15				47	49	84				0,155	3G30290015
20	G3/4	25	20				58	56	98				0,265	3G30290020
25	G1	25	25				61	68	98				0,395	3G30290025
32	G1.1/4	25	32				74	80	126				0,620	3G30290030
40	G1.1/2	25	40				80	89	126				0,865	3G30290035
50	G2	25	50				91	104	158				1,365	3G30290040
60	G2.1/2	25	60				101	137	158				2,490	3G30290045
71	G3	25	71				131	158	196				4,125	3G30290050
92	G4	25	92				145	183	265				6,310	3G30290055

