

**Manually operated
2-Way 2-piece
Brass Nickel Plated ball valve**

G3022



G3022

Solid, manually operated 2-piece 2-Way nickel-plated brass ball valve with lever

SIZE

DN10 (1/4") to DN92 (4")
Full bore

CONNECTION

- 2-sided female thread according to (ANSI B 1.20.1 NPT)

NOMINAL PRESSURE

PN25

TEMPERATURE RANGE

-20° to 90°C

MATERIALS

Brass according to UNE-EN 12165
Body: Brass (CW617N)
Ball: Brass (CW617N) Chrome-plated
Ball seal: PTFE
Shaft: Brass (CW617N) Chrome-plated
Shaft sealing: PTFE
O-Ring: NBR
Packed gland PTFE
Lever: Steel Chrome

FLOW DIRECTION

Random

MOUNTING POSITION

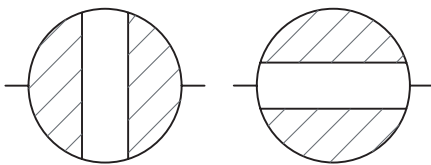
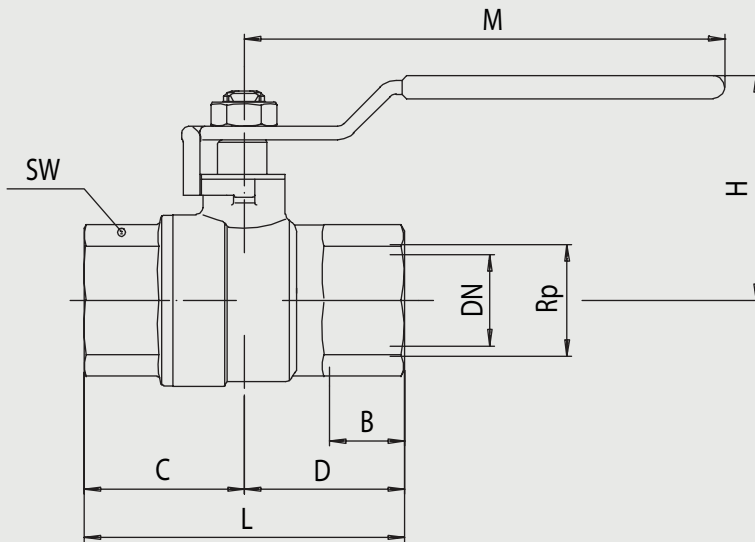
See mounting reference for industrial valves.

MEDIUM

Neutral gases and liquids. For applications with aggressive media consult resistance table. Certain media may increase the torque.

OPERATION (Standard)

Lever



Ball Valve 2-way with NPT threads and lever G3022

Nominal[mm] connection[mm]		max. press. [bar]	DN	SW	-	Kv	Dimension [mm] and weight [kg]							Order Code
DN	Rp	PN					H	L	M	B	C	D	Weight	
10	N1/4	25	10				46	40	84				0,110	3G3022A105
10	N3/8	25	10				46	43	84				0,115	3G3022A110
15	N1/2	25	15				47	49	84				0,155	3G3022A115
20	N3/4	25	20				58	56	98				0,265	3G3022A120
25	N1	25	25				61	68	98				0,395	3G3022A125
32	N1.1/4	25	32				74	80	126				0,620	3G3022A130
40	N1.1/2	25	40				80	89	126				0,865	3G3022A135
50	N2	25	50				91	104	158				1,365	3G3022A140
60	N2.1/2	25	60				101	137	158				2,490	3G3022A145
74	N3	25	74				131	158	196				4,125	3G3022A150
92	N4	25	92				145	183	265				6,310	3G3022A155

