

**Manually operated
2-Way 2-piece
Brass Nickel Plated ball valve**

G3021



G3021

Solid, manually operated 2-piece 2-Way nickel-plated brass ball valve with lever

SIZE

DN10 (1/4") to DN50 (2")
Full bore

CONNECTION

- 2-sided female thread according to (DIN 228/1)

NOMINAL PRESSURE

PN40

TEMPERATURE RANGE

-20° to 90°C

MATERIALS

Brass according to UNE-EN 12165
Body: Brass (CW617N)
Ball: Brass (CW617N) Chrome-plated
Ball seal: PTFE
Shaft: Brass (CW617N) Chrome-plated
Shaft sealing: PTFE
O-Ring: NBR
Packed gland PTFE
Lever: Stainless steel AISI 304

FLOW DIRECTION

Random

MOUNTING POSITION

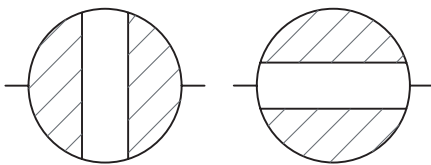
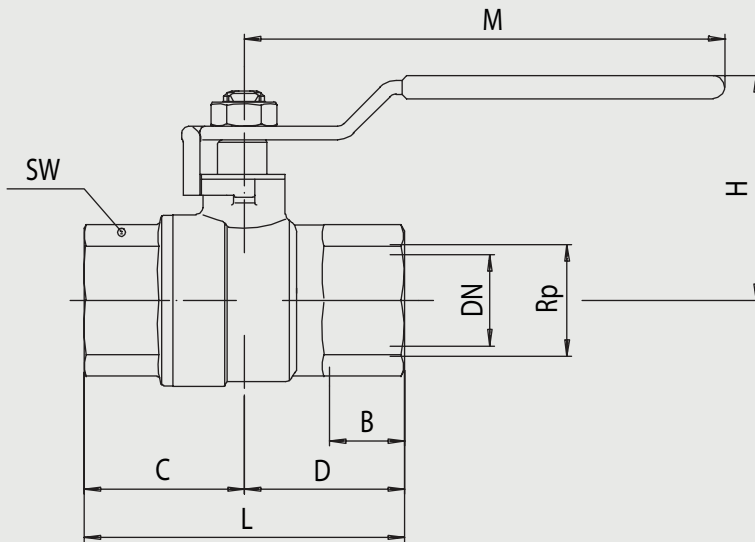
See mounting reference for industrial valves.

MEDIUM

Neutral gases and liquids. For applications with aggressive media consult resistance table. Certain media may increase the torque.

OPERATION (Standard)

Lever



Ball Valve 2-way with pipe threads and lever G3021

Nominal[mm] connection[mm]		max. press. [bar] PN	DN	SW	-	Kv	Dimension [mm] and weight [kg]							Order Code
DN	Rp						H	L	M	B	C	D	Weight	
10	G1/4	40	10				45	48	84				0,135	3G30210005
10	G3/8	40	10				45	50	84				0,135	3G30210010
15	G1/2	40	15				47	58	84				0,180	3G30210015
20	G3/4	40	20				58	65	98				0,295	3G30210020
25	G1	40	25				61	78	98				0,450	3G30210025
32	G1.1/4	40	32				74	88	126				0,715	3G30210030
40	G1.1/2	40	40				80	105	126				1,075	3G30210035
50	G2	40	50				91	122	158				1,645	3G30210040

