

**Manually operated
2-Way 2-piece
Brass Nickel Plated ball valve
G3020 / G3020N**



G3020 / G3020N

Solid, manually operated 2-piece 2-Way nickel-plated brass ball valve with lever

SIZE

DN10 (1/4") to DN50 (2")
Full bore

CONNECTION

- G3014N 2-sided female thread according to (ANSI B 1.20.1 NPT)
- G3014 2-sided female thread according to (DIN 228/1)

NOMINAL PRESSURE

PN40

TEMPERATURE RANGE

-20° to 90°C

MATERIALS

Brass according to UNE-EN 12165
Body: Brass (CW617N)
Ball: Brass (CW617N) Chrome-plated
Ball seal: PTFE
Shaft: Brass (CW617N) Chrome-plated
Shaft sealing: PTFE
O-Ring: NBR
Packed gland PTFE
Lever: Steel Chrome

FLOW DIRECTION

Random

MOUNTING POSITION

See mounting reference for industrial valves.

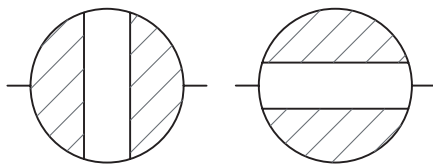
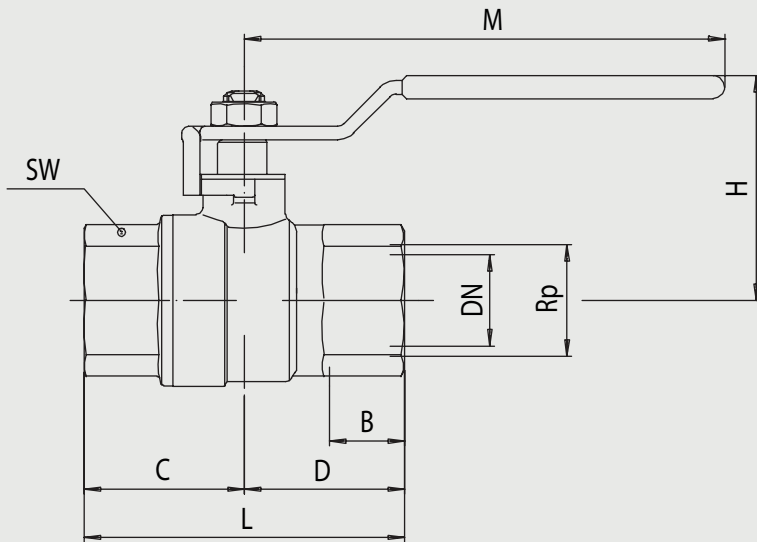
MEDIUM

Neutral gases and liquids. For applications with aggressive media consult resistance table. Certain media may increase the torque.

OPERATION (Standard)

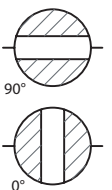
Lever

Manually operated
2-Way 2-piece
Brass Nickel Plated ball valve
G3020 / G3020N



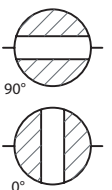
Ball Valve 2-way with pipe threads and lever G3020

Nominal[mm] connection[mm]		max. press. [bar] PN	DN	SW	-	Kv	Dimension [mm] and weight [kg]							Order Code
DN	Rp						H	L	M	B	C	D	Weight	
10	G1/4	40	10				45	48	84				0,135	3G30200005
10	G3/8	40	10				45	50	84				0,135	3G30200010
15	G1/2	40	15				47	58	84				0,180	3G30200015
20	G3/4	40	20				58	65	98				0,295	3G30200020
25	G1	40	25				61	78	98				0,450	3G30200025
32	G1.1/4	40	32				74	88	126				0,715	3G30200030
40	G1.1/2	40	40				80	105	126				1,075	3G30200035
50	G2	40	50				91	122	158				1,645	3G30200040



Ball Valve 2-way with NPT threads and lever G3020N

Nominal[mm] connection[mm]		max. press. [bar] PN	DN	SW	-	Kv	Dimension [mm] and weight [kg]							Order Code
DN	Rp						H	L	M	B	C	D	Weight	
10	N1/4	40	10				45	48	84				0,135	3G3020A105
10	N3/8	40	10				45	50	84				0,135	3G3020A110





Manually operated
2-Way 2-piece
Brass Nickel Plated ball valve
G3020 / G3020N

Nominal[mm] connection[mm]		max. press. [bar]	DN	SW	-	Kv	Dimension [mm] and weight [kg]							Order Code
DN	Rp	PN					H	L	M	B	C	D	Weight	
15	N1/2	40	15				47	58	84				0,180	3G3020A115
20	N3/4	40	20				58	65	98				0,295	3G3020A120
25	N1	40	25				61	78	98				0,450	3G3020A125
32	N1.1/4	40	32				74	88	126				0,715	3G3020A130
40	N1.1/2	40	40				80	105	126				1,075	3G3020A135
50	N2	40	50				91	122	158				1,645	3G3020A140