

**Manually operated
2-Way 2-piece
Brass ball Valve**

G3017N



G3017N

Solid, manually operated 2-piece 2-Way
brass ball valve with lever

SIZE

DN10 (1/4") to DN100 (4")
Full bore

CONNECTION

- G3017N 2-sided female thread according to (ANSI B 1.20.1 NPT)

NOMINAL PRESSURE

400 WOG

TEMPERATURE RANGE

Max 180°C

MATERIALS

Brass according to UNE-EN 12165
Body: Brass CW617N
Ball: Brass CW617N, chrome plated
Ball seal: PTFE
Shaft: Chrome-plated Brass CW617N
Shaft sealing: PTFE
O-Ring: NBR
Packed gland PTFE
Lever: Steel Chrome

FLOW DIRECTION

Random

MOUNTING POSITION

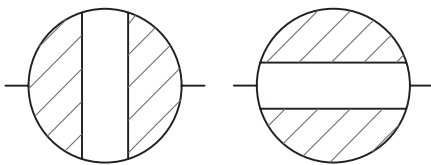
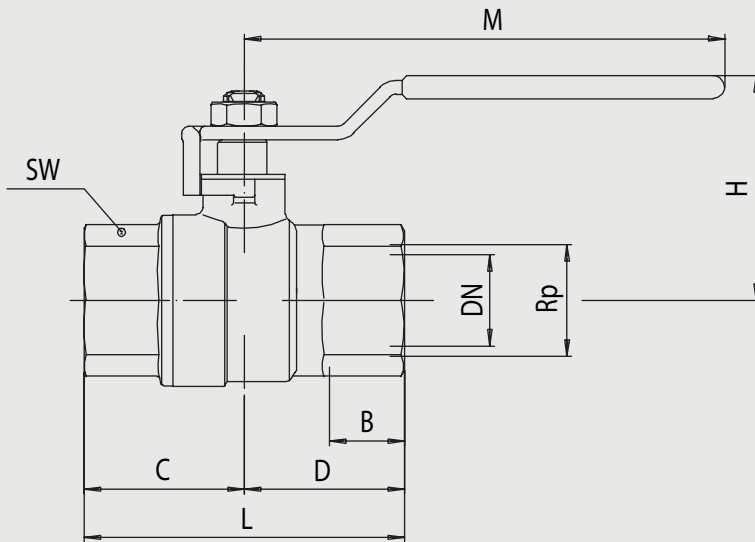
See mounting reference for industrial valves.

MEDIUM

Neutral gases and liquids. For applications with aggressive
media consult resistance table. Certain media may
increase the torque.

OPERATION (Standard)

Lever



Ball Valve 2-way with NPT threads and lever G3017N

Nominal[mm] connection[mm]		max. press. [bar] PN	DN	SW	-	Kv	Dimension [mm] and weight [kg]							Order Code	
DN	Rp						H	L	M	B	C	D	Weight		
10	N1/4	400WOG	10				46	40	84					0,110	3G3017A105
10	N3/8	400WOG	10				46	43	84					0,115	3G3017A110
15	N1/2	400WOG	14				47	49	84					0,160	3G3017A115
20	N3/4	400WOG	19				58	56	98					0,270	3G3017A120
25	N1	400WOG	24				61	68	98					0,395	3G3017A125
32	N1.1/4	400WOG	30				74	80	126					0,620	3G3017A130
40	N1.1/2	400WOG	37				80	89	126					0,865	3G3017A135
50	N2	400WOG	47				91	104	158					1,365	3G3017A140
65	N2.1/2	400WOG	59				101	137	158					2,490	3G3017A145
80	N3	400WOG	72				131	158	196					4,125	3G3017A150
100	N4	400WOG	90				145	183	265					6,300	3G3017A155

