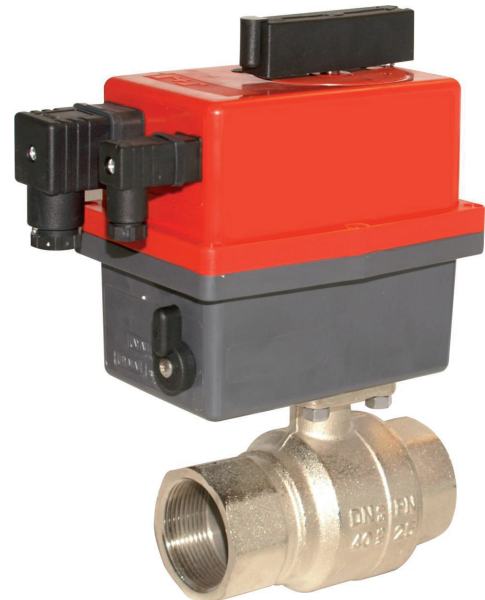


**Electrically operated
2-Way 2-piece
Brass Nickel Plated ball valve**

E8500A



E8500A

Solid, electrically operated 2-piece 2-Way brass nickel plated ball valve with JJ J+J double acting actuator

SIZE

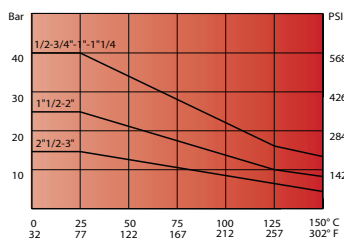
DN08 (1/4") to DN25 (1") Full bore

CONNECTION

- 2-Sided female thread according to UNI EN 10226 (DIN ISO 7/1)
- Mounting flange according to ISO 5211

NOMINAL PRESSURE

From PN40 (1/4) to PN16 (3")



TEMPERATURE RANGE

From -20° to +150°C

MATERIALS

Body: Brass CW 617 N UNI EN 12165
 Ball: Brass, hard chrome CW 614 N UNI EN 12164
 Ball seal: PTFE
 Shaft: Brass, hard chrome CW 614 N UNI EN 12164
 Shaft sealing: PTFE
 O-Ring: Elastomer
 Stuffing box gland: brass UNI EN 12164 CW 614 N
 Packed gland PTFE

FLOW DIRECTION

Random

MOUNTING POSITION

See mounting reference for industrial valves.

MEDIUM

Neutral gases and liquids. For applications with aggressive media consult resistance table. Certain media may increase the torque.

OPERATION (Standard)

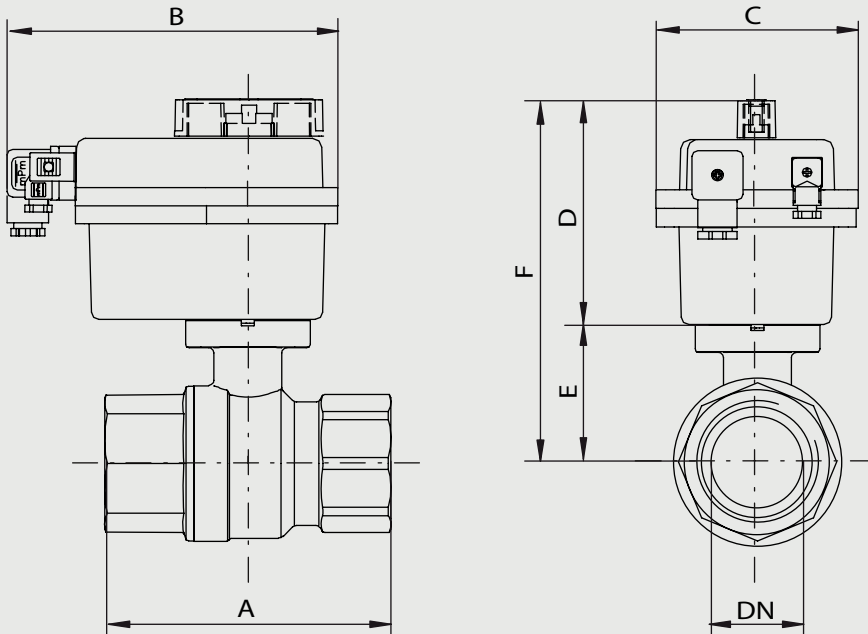
With electric actuator.

VOLTAGE

12 -24V AC/DC, 110-240V AC/DC

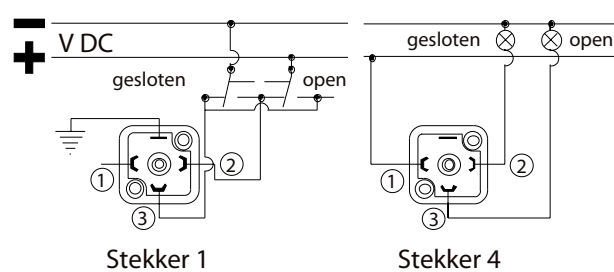
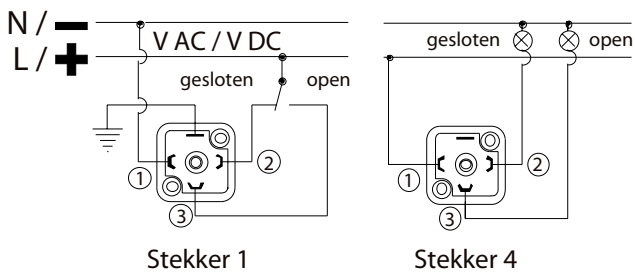
SOME ADVANTAGES

- ETL (Electrical torque limiter).
- AVS (Automatic voltage recognition).
- ATC (Automatic temperature control to avoid condensation).
- MO (Manual emergency override).
- VFC (2 integrated potential free microswitches for feedback).
- VCO (A continues lighting LED indicates normal operation of the actuator).
- PES (Protected electrical supply, the J3 accepts the same wiring connection for either AC or DC operation).



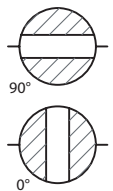
AC/DC 3 draads aansluiting

DC 2 draads aansluiting



Double-acting ball valve with pipe threads, 12-24 Volt AC/DC

| Nominal[mm] connection[mm] | | max. press. [bar] | M(1) +30% [Nm] | Flange | Square | Kv | Electrical Actuator | Dimension [mm] and weight [kg] | | | | | | | Order Code |
|-------------------------------|-----|-------------------------|----------------------|---------|--------|-----|------------------------|--------------------------------|-----|-----|-------|------|-------|--------|---------------|
| DN | Rp | PN | | | | | | A | B | C | D | E | F | Weight | |
| 8 | 1/4 | 40 | 2,8 | F03 | 9 | 5,9 | J2 L010 | 75 | 169 | 104 | 126,5 | 38 | 164,5 | 1,90 | 3E8500000514A |
| 10 | 3/8 | 40 | 2,8 | F03 | 9 | 9,4 | J2 L010 | 75 | 169 | 104 | 126,5 | 38 | 164,5 | 1,85 | 3E8500001014A |
| 15 | 1/2 | 40 | 4,2 | F03 | 9 | 17 | J2 L010 | 75 | 169 | 104 | 126,5 | 38 | 164,5 | 1,80 | 3E8500001514A |
| 20 | 3/4 | 40 | 5,6 | F03 | 9 | 41 | J2 L010 | 80 | 169 | 104 | 126,5 | 40,5 | 167 | 2,00 | 3E8500002014A |
| 25 | 1 | 40 | 8,4 | F03/F04 | 9 | 70 | J2 L010 | 90 | 169 | 104 | 126,5 | 44 | 170,5 | 2,30 | 3E8500002514A |



**Electrically operated
2-Way 2-piece
Brass Nickel Plated ball valve**

E8500A

Double-acting ball valve with pipe threads, 110-240 Volt AC/DC

| Nominal[mm] connection[mm] | | max. press. [bar] PN | M(1) +30% [Nm] | Flange | Square | Kv | Electrical Actuator | Dimension [mm] and weight [kg] | | | | | | | Order Code |
|-------------------------------|-----|-------------------------------|----------------------|---------|--------|-----|------------------------|--------------------------------|-----|-----|-------|------|-------|--------|---------------|
| DN | Rp | | | | | | | A | B | C | D | E | F | Weight | |
| 8 | 1/4 | 40 | 2,8 | F03 | 9 | 5,9 | J2 H010 | 75 | 169 | 104 | 126,5 | 38 | 164,5 | 1,90 | 3E8500000544A |
| 10 | 3/8 | 40 | 2,8 | F03 | 9 | 9,4 | J2 H010 | 75 | 169 | 104 | 126,5 | 38 | 164,5 | 1,85 | 3E8500001044A |
| 15 | 1/2 | 40 | 4,2 | F03 | 9 | 17 | J2 H010 | 75 | 169 | 104 | 126,5 | 38 | 164,5 | 1,80 | 3E8500001544A |
| 20 | 3/4 | 40 | 5,6 | F03 | 9 | 41 | J2 H010 | 80 | 169 | 104 | 126,5 | 40,5 | 167 | 2,00 | 3E8500002044A |
| 25 | 1 | 40 | 8,4 | F03/F04 | 9 | 70 | J2 H010 | 90 | 169 | 104 | 126,5 | 44 | 170,5 | 2,30 | 3E8500002544A |

