

ACL 108

ACL 108, Electrically operated direct-acting 2/2-way brass solenoid valve NC (normally closed).

SIZE

DN12 (3/8") to DN25 (1")

CONNECTION

- 2-Sided female thread according to ISO 228

NOMINAL PRESSURE

Maximum 25bar

TEMPERATURE FLUID

From:
-10° to +140°C (FPM = V)

MATERIALS

Body: Messing
Armature tube: AISI 303
Plugner: AISI 430FR
Springs: AISI 302
Seals: FPM
Diaphragm: FPM

FLOW DIRECTION

From P(1) to A(2).

MOUNTING POSITION

Solenoid valve can be mounted in any position, preferably mounting with the coil pointing vertically upwards.

MEDIUM

Neutral gases and liquids. For applications with aggressive media consult resistance table.

COIL

Operating time: 100% ED
Encapsulation material: Nylon fiberglass reinforced
Coil insulation class: F (140° C)
Ambient temperature: -10° to +55°C
Electrical connections: DIN 46340A - 3-poles connectors (DIN A EN175301-803 ISO 4400)
Protection degree: IP65 (EN 60529) wit connector and seal
Connection voltage:
DC 12-24V (+10% -10%)
AC 24V/50Hz, 110V/50Hz (120V/60Hz), 230V/50Hz (+15% -10%)
Other voltages on request

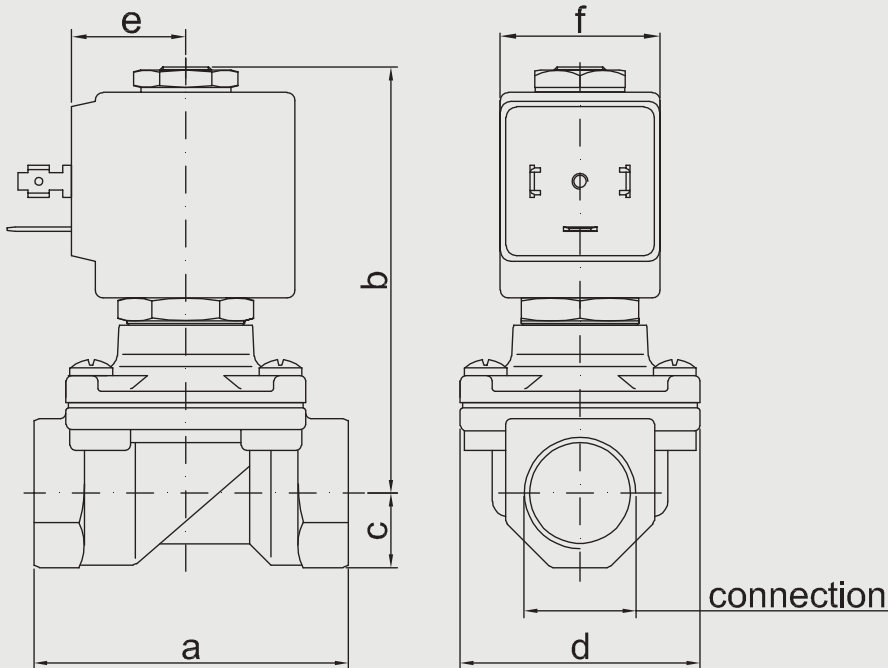
OPTIONS

Electroless nickel plating
UL certified coil

TECHNICAL SPECIFICATIONS

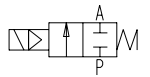
- Maximum allowable pressure: 12 bar
- Minimum differential pressure: 0,15bar
- Opening time: ~ 30ms
- Closing time: ~ 30ms
- Maximum viscosity: 5°E (~25 cStokes of mm²/s)

ACL 108



2/2 NC, FPM, 000/00

ACL 108 2/2 way direct acting solenoid valve body electrically operated NC (normally closed)



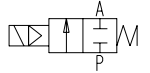
Nominal[mm] connection[mm]		Press. (min)	Press. (max) Gas	Press. (max) Liquid	Kv [m3/h]	Coil	Consump- tion	Dimension [mm] and weight [kg]							Order Code
DN	Rp							a	b	c	d	e	f	Weight	
12	G3/8	0	12	12	2,0			59	83	14	45			0,400	0AE108CV12
12	G1/2	0	12	12	2,2			59	83	14	45			0,370	0AE108DV12
18	G3/4	0	9	9	4,5			79	90	18	55			0,610	0AE108EV18
25	G1	0	7	7	8,5			96	101	20	72			1,020	0AE108FV25
18	G3/4	0	9	9	4,5			79	76	18	55			0,610	0AD108EV18
25	G1	0	8	8	8,5			96	85	20	72			1,020	0AD108FV25

**Electrically operated
Pilot operated 2-way NC
Brass solenoid valve**

ACL 108

2/2 NC, FPM, 12V/DC

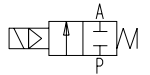
ACL 108 2/2 way direct acting solenoid valve electrically operated NC (normally closed) 12 volt DC



Nominal[mm] connection[mm]		Press. (min)	Press. (max) Gas	Press. (max) Liquid	Kv [m3/h]	Coil	Consump- tion	Dimension [mm] and weight [kg]							Order Code
DN	Rp							a	b	c	d	e	f	Weight	
12	G3/8	0	10	10	2,0	0A520	27W	59	83	14	45	24	36	0,600	0AE108CV12///520
12	G1/2	0	10	10	2,2	0A520	27W	59	83	14	45	24	36	0,570	0AE108DV12///520
18	G3/4	0	9	9	4,5	0A520	27W	79	90	18	55	24	36	0,810	0AD108EV18///520
25	G1	0	8	8	8,5	0A520	27W	96	101	20	72	24	36	1,220	0AD108FV25///520

2/2 NC, FPM, 024V/DC

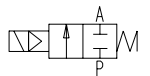
ACL 108 2/2 way direct acting solenoid valve electrically operated NC (normally closed) 24 volt DC



Nominal[mm] connection[mm]		Press. (min)	Press. (max) Gas	Press. (max) Liquid	Kv [m3/h]	Coil	Consump- tion	Dimension [mm] and weight [kg]							Order Code
DN	Rp							a	b	c	d	e	f	Weight	
12	G3/8	0	10	10	2,0	0A521	27W	59	83	14	45	24	36	0,600	0AE108CV12///521
12	G1/2	0	10	10	2,2	0A521	27W	59	83	14	45	24	36	0,570	0AE108DV12///521
18	G3/4	0	9	9	4,5	0A521	27W	79	90	18	55	24	36	0,810	0AD108EV18///521
25	G1	0	8	8	8,5	0A521	27W	96	101	20	72	24	36	1,220	0AD108FV25///521

2/2 NC, FPM, 024V/50Hz

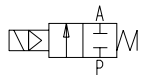
ACL 108 2/2 way direct acting solenoid valve electrically operated NC (normally closed) 24 volt AC



Nominal[mm] connection[mm]		Press. (min)	Press. (max) Gas	Press. (max) Liquid	Kv [m3/h]	Coil	Consump- tion	Dimension [mm] and weight [kg]							Order Code
DN	Rp							a	b	c	d	e	f	Weight	
12	G3/8	0	10	10	2,0	0A20B	20-15VA	59	70	14	45	22	30	0,520	0AE108CV12///20B
12	G3/8	0	12	12	2,0	0A52B	40-30VA	59	70	14	45	24	36	0,600	0AE108CV12///52B
12	G1/2	0	10	10	2,2	0A20B	20-15VA	59	70	14	45	22	30	0,490	0AE108DV12///20B
12	G1/2	0	12	12	2,2	0A52B	40-30VA	59	70	14	45	24	36	0,570	0AE108DV12///52B
18	G3/4	0	9	9	4,5	0A52B	40-30VA	79	76	18	55	24	36	0,810	0AE108EV18///52B
25	G1	0	7	7	8,5	0A52B	40-30VA	96	85	20	72	24	36	1,220	0AE108FV25///52B

2/2 NC, FPM, 230V/50Hz

ACL 108 2/2 way direct acting solenoid valve electrically operated NC (normally closed) 230 volt AC



Nominal[mm] connection[mm]		Press. (min)	Press. (max) Gas	Press. (max) Liquid	Kv [m3/h]	Coil	Consump- tion	Dimension [mm] and weight [kg]							Order Code
DN	Rp							a	b	c	d	e	f	Weight	
12	G3/8	0	10	10	2,0	0A20E	20-15VA	59	70	14	45	22	30	0,520	0AE108CV12///20E
12	G3/8	0	12	12	2,0	0A52E	40-30VA	59	70	14	45	24	36	0,600	0AE108CV12///52E
12	G1/2	0	10	10	2,2	0A20E	20-15VA	59	70	14	45	22	30	0,490	0AE108DV12///20E
12	G1/2	0	12	12	2,2	0A52E	40-30VA	59	70	14	45	24	36	0,570	0AE108DV12///52E
18	G3/4	0	9	9	4,5	0A52E	40-30VA	79	76	18	55	24	36	0,810	0AE108EV18///52E
25	G1	0	7	7	8,5	0A52E	40-30VA	96	85	20	72	24	36	1,220	0AE108FV25///52E



**Electrically operated
Pilot operated 2-way NC
Brass solenoid valve**

ACL 108