

## DESCRIPTION

Solenoid valve 3 way  
direct acting poppet type

## CONSTRUCTION

Body	Brass
Armature tube	Brass
Plunger and core	AISI 430FR
Springs	AISI 302
Seal material	NBR - FPM - EPDM



3

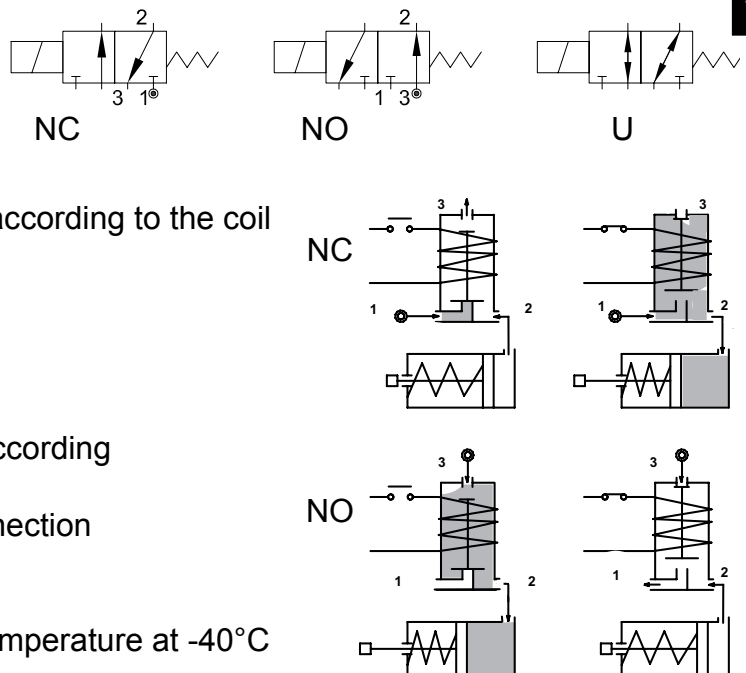
## FEATURES

Maximum allowable pressure PS 50bar<sup>③</sup>  
Maximum fluid viscosity 25cSt (mm<sup>2</sup>/s)  
Ambient temperature: from -10°C to +80°C according to the coil  
Universal mounting position

## OPTIONS:

- Manual override
- Stainless steel armature tube
- Electroless nickel plating
- Series 7 explosion proof coil according to ATEX - EExmII
- Exhaust port with hosedetail connection
- UL US certified coils

**ON REQUEST:** Versions for use with fluid temperature at -40°C



CODE ① ②	Connection G ISO 228	Orifice mm		Kv m <sup>3</sup> /h	Differential pressure bar			Nominal power			Coil		Seal ①	Temp. range °C		
		1→2	2→3		Min	Max		AC	VA	DC	Series	Width				
						AC	DC	Inrush	Holding	Watt						
<b>NC Normally closed</b>																
E305A...12///...	1/8"	1.2	1.5	0.04	0	15	15	12	8	6.5	3	22	NBR=B  EPDM=E  FPM=V	-10 +90  -10 +140  -10 +140		
E305A...15///...		1.5	1.5	0.06	0	10	10									
E305A...20///...		2	1.7	0.09	0	6	6									
<b>NO Normally open</b>																
E305A...15/S/...	1/8"	1.5	1.5	0.06	0	10	10	12	8	6.5	3	22				
E305A...17/S/...		1.7	2	0.07	0	6	6									
<b>U Universal</b>																
E305A...15/G/...	1/8"	1.5	1.5	0.06	0	6	6	12	8	6.5	3	22				

- ① Seal
- ② Coil

Example: E305AV15///30B FPM seal      Coil 24V 50/60Hz NC  
E305AB15/S/301 NBR seal                  Coil 24V DC NO

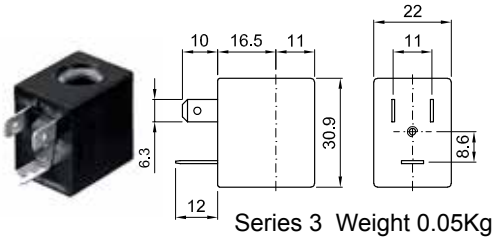
## ③ REMARK

The maximum allowable pressure PS for steam 2,5bar (gauge pressure)

COILS	Alternating Current 50/60Hz (V)							Direct Current (V)			Electrical connection	Connectors
	12	24	48	110	220 230	240	380	12	24	48		
Series 3 Width 22 Code ②	30A	30B	30C	30D	30E	30F	30G	300	301	302	DIN 46244	PG9 code 10348000

**DESCRIPTION**  
 Class F insulation  
 Voltage tolerance  
 AC +15% -10%  
 DC ± 10%  
 Protection class  
 IP65 with connector fitted  
 IP00 without connector  
 Continuous service ED100%

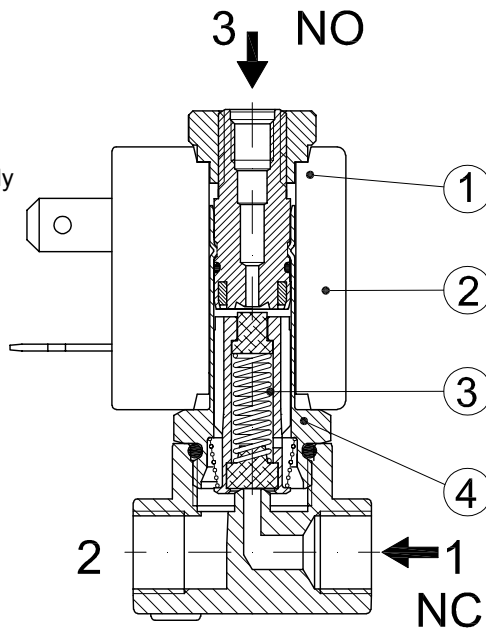
**OPTIONS**  
 Class H insulation  
 Cable attached  
 Special coil voltage  
 Special coil powers  
 CE certified coils



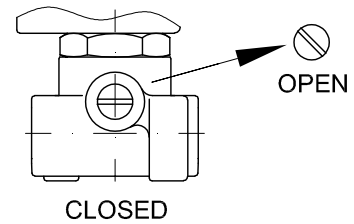
(for more details see section 8)

### SPARE PARTS LIST

1. Coil fixing nut
2. Coil
3. Plunger
4. Armature tube assembly



### MANUAL OVERRIDE



### OVERALL DIMENSION

