

**DESCRIPTION**

Solenoid valve 2 way normally open  
direct acting poppet type

**CONSTRUCTION**

Body	Brass
Armature tube	Brass
Plunger and core	AISI 430FR
Springs	AISI 302
Seal material	NBR - FPM - EPDM

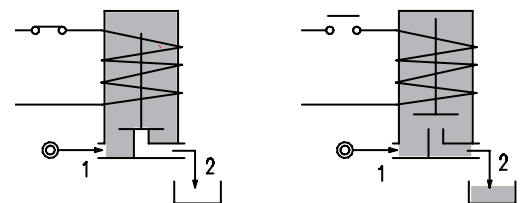
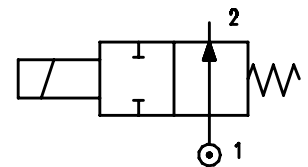


**2**

**FEATURES**

Maximum allowable pressure PS 50bar<sup>④</sup>  
 Maximum fluid viscosity 25cSt (mm<sup>2</sup>/s)  
 Ambient temperature: from -10°C to +80°C according to the coil  
 Universal mounting position

**OPTIONS:** Stainless steel armature tube  
 Electroless nickel plating  
 Series 7 explosion proof coil according to ATEX - EExmII  
 us certified coils



**ON REQUEST:** Versions for use with fluid temperature at -40°C  
 Manual override

CODE ① ②	Connection G ISO 228	Orifice mm	Kv m <sup>3</sup> /h	Differential pressure bar			Nominal power			Coil		Seal ①	Temp. range °C
				Min	Max		AC Inrush	VA Holding	DC Watt	Series	Width		
					AC	DC ③							
E205A...12///...	1/8"	1.2	0.04	0	19	19	12	8	6.5	3	22	NBR=B	-10 +90
E205A...15///...		1.5	0.06	0	14	14						EPDM=E	-10 +140
E205A...20///...		2	0.09	0	8	8						FPM=V	-10 +140
E205A...25///...		2.5	0.14	0	4.5	4.5							
E205A...31///...		3.1	0.19	0	2.5	2.5							

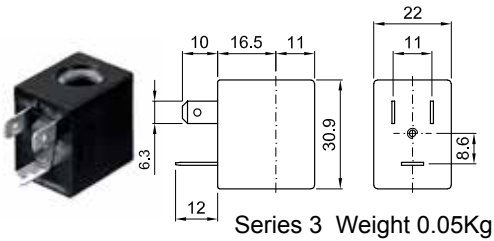
- ① Seal Example: E205AB20///30B NBR seal
- ② Coil Coil 24V 50/60Hz
- ③ Direct current (DC) series 3 coil available only without UL certification

④ **REMARK**  
 The maximum allowable pressure PS for steam is 2.5bar (gauge pressure)

COILS	Alternating Current 50/60Hz (V)							Direct Current (V)			Electrical connection	Connectors
	12	24	48	110	220 230	240	380	12	24	48		
Series 3 Width 22 Code ②	30A	30B	30C	30D	30E	30F	30G	300	301	302	DIN 46244	PG9 code 10348000

**DESCRIPTION**  
 Class F insulation  
 Voltage tolerance  
 AC +15% -10%  
 DC ± 10%  
 Protection class  
 IP65 with connector fitted  
 IP00 without connector  
 Continuous service ED100%

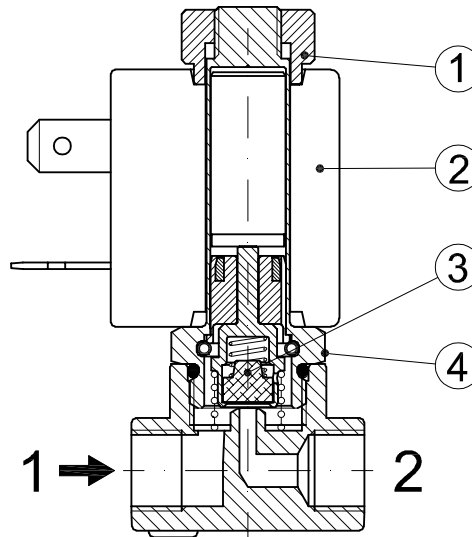
**OPTIONS**  
 Class H insulation  
 Cable attached  
 Special coil voltage  
 Special coil powers  
 CE certified coils



(for more details see section 8)

### SPARE PARTS LIST

1. Coil fixing nut
2. Coil
3. Seal assembly
4. Armature tube assembly



### OVERALL DIMENSION

