

**DESCRIPTION**

Solenoid valve 2 way normally closed with servo-assisted piston

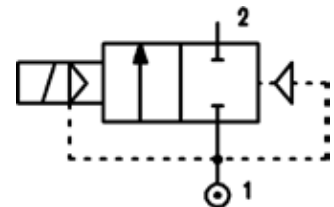
**CONSTRUCTION**

Body and cover	Brass
Armature tube	AISI 303
Plunger and core	AISI 430FR
Springs	AISI 302
Piston	AISI 303
Piston seal	PTFE reinforced
Seal material	Main seal PTFE, other FPM



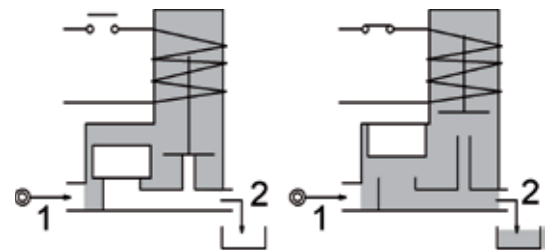
**FEATURES**

- Minimum differential pressure 1bar
- Maximum allowable pressure PS 60bar<sup>③</sup>
- Maximum fluid viscosity 25cSt (mm<sup>2</sup>/s)
- Ambient temperature: from -10°C to +80°C according to the coil
- Preferred mounting position with vertical coil above



**4**

**OPTIONS:** Electroless nickel plating  
c us certified coils



CODE ②	Connection G ISO 228	Orifice mm	Kv m <sup>3</sup> /h	Differential pressure bar			Nominal power			Coil		Seal	Temp. range °C
				Min	Max		AC Inrush	VA Holding	DC Watt	Series	Width		
E119BV52///...	1/4"	5.2	0.47	1.5	50	50	20	15	10	2	30	PTFE/ FPM	-10 +140
E119CV12///...	3/8"	12	2	1	30	30							
E119DV12///...	1/2"	12	2.2	1	30	30	40	30	27	5	36		
E119CV12/1/...	3/8"	12	2	1	50	50							
E119DV12/1/...	1/2"	12	2.2	1	50	50							

② Coil

Example: E119DV12/1/521 FPM seal  
 Coil 24V DC  
 Maximum differential pressure 50bar

Maximum allowable leakage <0.2NI/h

③ **REMARK**

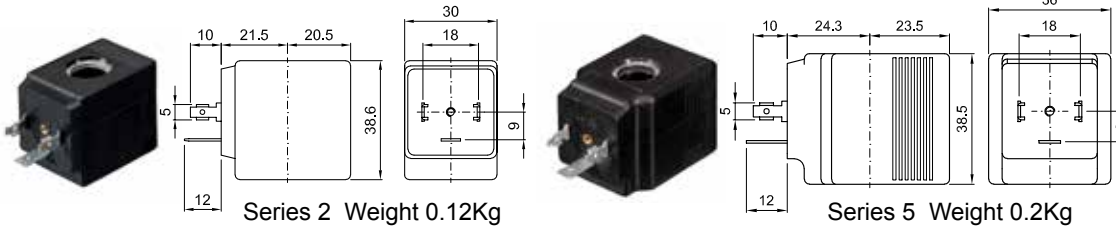
The maximum allowable pressure PS for steam 2,5bar (gauge pressure)

COILS	Alternating Current 50/60Hz (V)							Direct Current (V)			Electrical connection	Connectors
	12	24	48	110	220 230	240	380	12	24	48		
Series 2 Width 30 Code ②	20A	20B	20C	20D	20E	20F	20G	200	201	202	DIN 43650A	PG9 code 10349000
Series 5 Width 36 Code ②	52A	52B	52C	52D	52E	52F	52G	520	521	522	DIN 43650A	PG11 code 10349001

**DESCRIPTION**  
 Insulation class  
 Series 2 =F Series 5=H  
 Voltage tolerance  
 AC +15% -10%  
 DC ± 10%  
 Protection class  
 IP65 with connector fitted  
 IP00 without connector  
 Continuous service ED100%

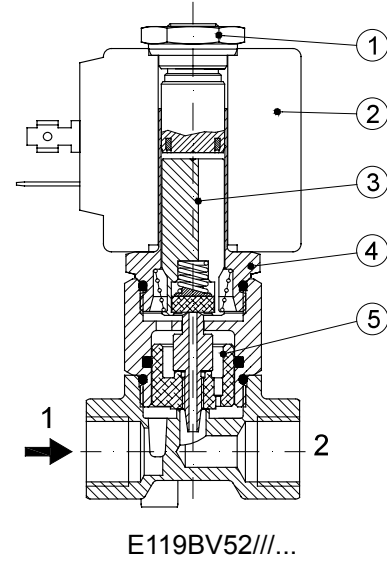
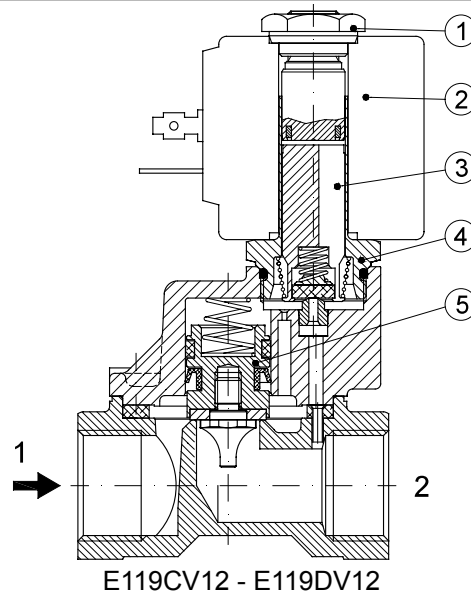
**OPTIONS**  
 Class H insulation (series 2)  
 Cable attached  
 Special coil voltage  
 Special coil powers  
 CE certified coils

(for more details see section 8)



### SPARE PARTS LIST

1. Coil fixing nut
2. Coil
3. Plunger
4. Armature tube with core
5. Piston assembly



### OVERALL DIMENSION

Weight with coil series 2=0.63Kg  
 Weight with coil series 5=0.71Kg

